

# CARTS FOR PRODUCT HARVEST AND TRANSPORT IN BOXES AND BINS – PBC/3 MODEL



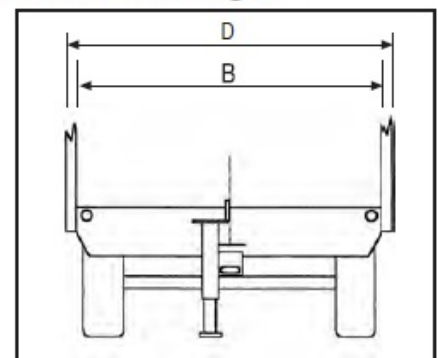
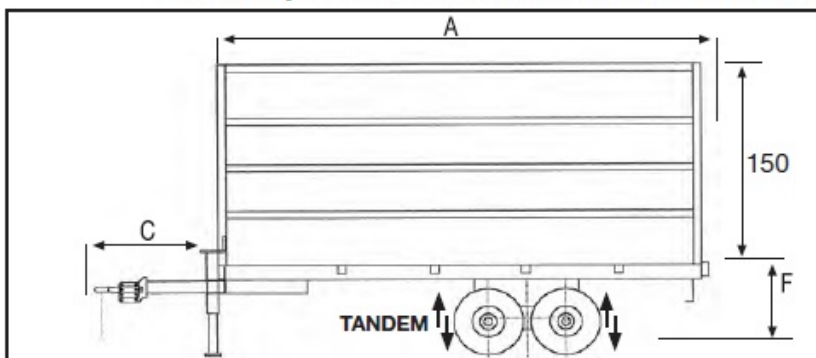
**BY REMOVING THE BIN STOP STRUCTURE IT CAN BE USED AS A BIN CART**

## PBC/3 Model

- Loading bed made of non-slip treadplate
- Bent tinplate frame
- 4 wheels with independent tandem system
- Mechanic brake on both wheels
- “Movable” front bulkhead
- “Movable” rear bulkhead
- Side flag-openable gates with inner aluminium locking devices: “movable gates”
- Drawbar with hydraulic shift and to facilitate row entry and exit. quick coupling operation (no on model 2250 - 2250 s)
- Height-adjustable towing eyelet
- Support foot
- Road lighting/indication system

Bin cart without on-road type approval with CE certificate	A cm.	B cm.	F cm.	D cm.	C cm.	External track
Mod. PBC/3 - 950 tyres 20.5 / 8.00-10	330	95	60	105	100	105
Mod. PBC/3 - 1300 tyres 20.5 / 8.00-10	330	130	60	140	100	140
Mod. PBC/3 - 1450 tyres 20.5 / 8.00-10	330	145	60	155	100	145
Mod. PBC/3 - 4100x1300 tyres 20.5 / 8.00-10	410	130	60	140	100	140
Mod. PBC/3 - 4100x1450 tyres 20.5 / 8.00-10	410	145	60	145	100	140
Mod. PBC/3 S - 5000x1300 tyres 200/60 - 14,5	500	130	72	145	100	145
Mod. PBC/3 S - 6000x1300 tyres 200/60 - 14,5	600	130	72	145	100	145
<b>WITHOUT HYDRAULIC DRAWBAR</b> Mod. PBC/3 - 2250 tyres 10.07515 12PR	410	225	73	235	100	225
Mod. PBC/3 - 2250 S tyres 10.07515 12PR	550	225	83	235	100	225

Can be provided in various sizes not listed in this catalogue



Accessories on request for fitting to the model PBC/3 BINS: see page 32