



# Manure spreaders A.F.O. - A.F.O.RE



Rigid suspension with horizontal equipment and two balanced rollers, **rear spreading, hydraulic binding chain feed with quick coupling operation.** The structure is made of cut tube profiles, the deck and sides are made of treated larch planks. It is equipped with special guides for chain running, sliding drawbar, axle without brake. Without road lighting/indication system.

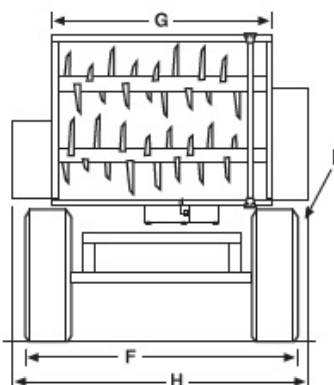
Mod.	A	Y	D	C	F	G	H	I	M <sup>3</sup>	Empty weight Kg.	Space between rows
								TYRES			
<b>A.F.O. 10</b> WE RECOMMEND 4 WHEELS TANDEM SYSTEM	300	85	430	210	105	85	105	10/75/15 12 PR	2.00	1000	130
<b>A.F.O. 15</b>	300	85	430	210	140	115	135	10/75/15 12 PR	2.80	1160	170
<b>A.F.O. 15 S</b>	350	85	480	210	140	115	135	10/75/15 12 PR	3.30	1280	170
<b>A.F.O. 25</b>	300	85	430	210	140	125	155	10/75/15 12 PR	3.00	1250	190
<b>A.F.O. 25 S</b>	350	85	480	210	155	125	155	10/75/15 12 PR	3.50	1380	190
<b>A.F.O. 35</b>	350	85	480	210	160	150	180	13.055 16	4.40	1560	230



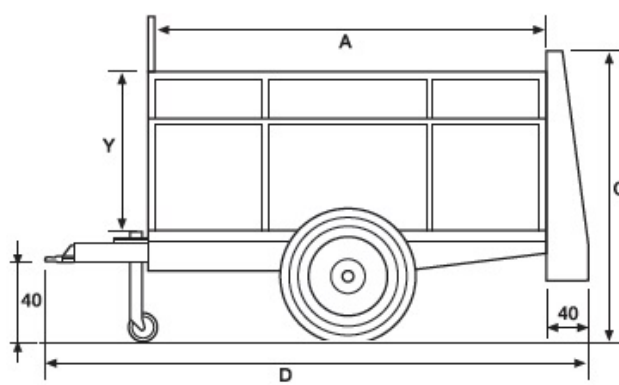
# A.F.O.RE Manure spreaders with external wheels

Mod.	A	Y	D	G	H	C	I	F	M	M <sup>3</sup>	Empty weight Kg.	Space between rows
							TYRES					
<b>A.F.O.RE 25</b>	300	85	430	125	190	185	10/75/15 12 PR	190	180	3.00	1250	250
<b>A.F.O.RE 35</b>	350	85	480	150	210	185	10/75/15 12 PR	210	180	4.40	1350	270

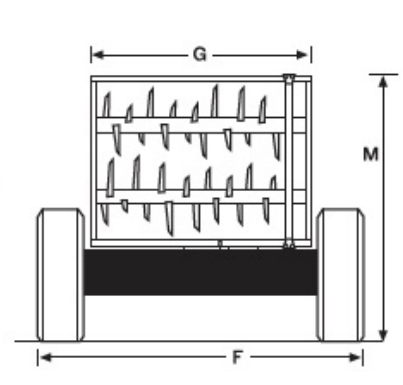
**Mod. A.F.O.**



**Mod. A.F.O. Mod. A.F.O.RE**



**Mod. A.F.O.RE**



**ACCESSORIES ON REQUEST: SEE Page 54, 55**