

Mod. V.B. RF

# Manure spreaders with vertical balanced rollers



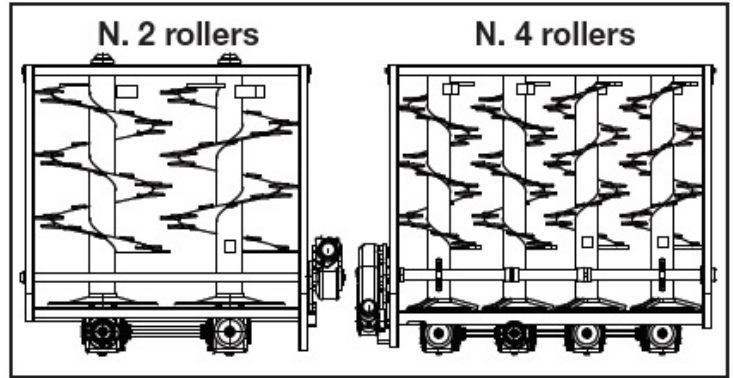
With rigid suspension, *rear spreading and hydraulic binding chain feed with quick coupling operation.*

The structure is made of cut tube profiles, the deck and sides are made of treated larch planks.

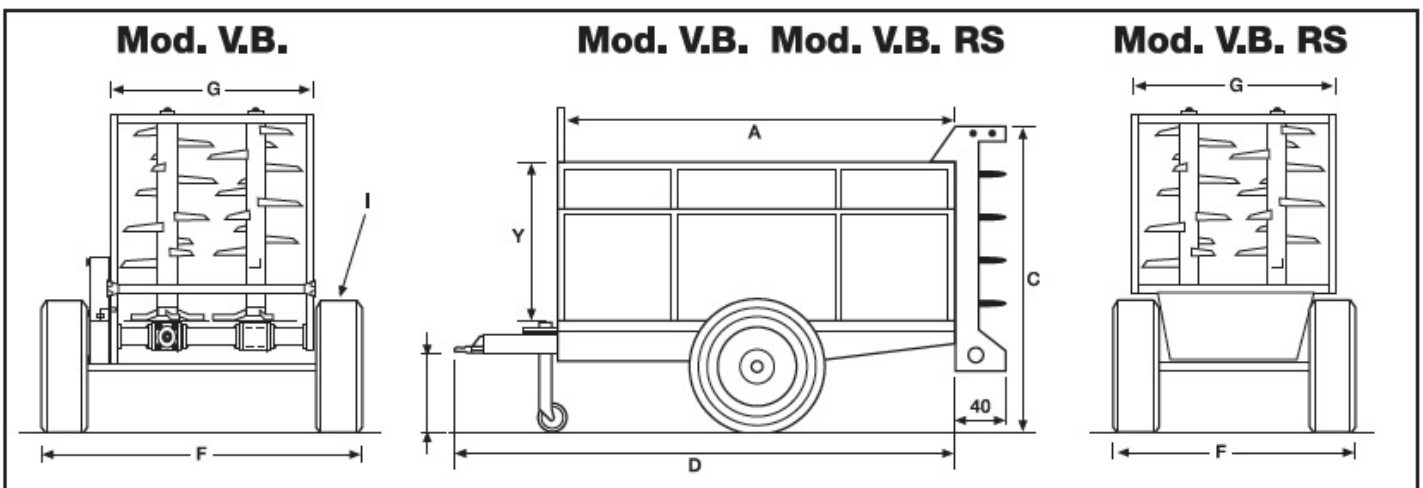
It is equipped with special guides for chain running, axle without brake. Without road lighting/indication system.



Mod. V.B. RS



Mod.	A	Y	D	C	F	G	H	I TYRES	M <sup>3</sup>	 Empty weight Kg		 Space between rows	
										Empty weight Kg	Space between rows		
2 ROLLERS	V.B. 25 RE	300	80	415	170	185	125	135	10/75/15 12 PR 2 wheels	3.00	900	225	
	V.B. 35 RE	350	80	465	170	185	125	135	10/75/15 12 PR 2 wheels	3.50	1200	225	
	NEW V.B. 25 RS	300	80	415	200	135	125	135	10/75/15 12 PR 2 wheels	3.00	1200	180	
	NEW V.B. 35 RS	350	80	465	200	135	125	135	10/75/15 12 PR 2 wheels	3.50	1500	180	
4 ROLLERS	V.B. 40 RE	350	80	465	170	220	160	175	10/75/15 12 PR 2 wheels	4.40	1900	270	
	V.B. 40 RS	350	80	465	200	170	160	175	13.0/55-16 2 wheels	4.40	2100	220	
	N.S. 55 RS	400	80	505	220	190	180	195	435/50 19.5 16P sizes 95x43	5.70	2300	220	
	N.S. 75 RS	460	80	565	220	240	200	230	435/50 19.5 16P sizes 95x43	7.30	2600	---	



**ACCESSORIES ON REQUEST: SEE Page 54, 55**