

Manure spreader with compensating suspensions



Particularly recommended for the companies looking for a machine with special characteristics

The advantages:

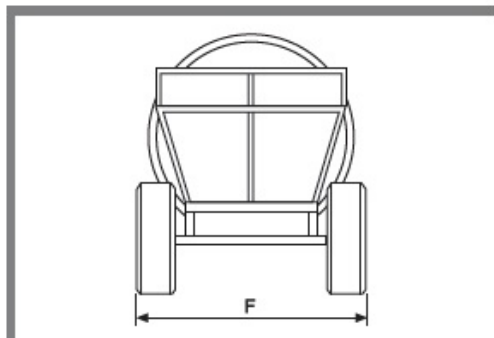
- * Total stability during the transport and working phases also with very narrow machines on steep slopes
- * Minimum stepping on the ground thanks to the Tandem system and to the 4 supporting wheels

Compensating system Tandem with tyres 200/60.14,5 10 PR.



4 compensating wheels
tyres 200/60.14.14.5
Only for models
F.V.S. 25 - F.V.S. 25 VIGNERON
F.V.S. 35 - F.V.S. 35 VIGNERON
A.F.O. 15 - A.F.O. 25 - A.F.O. 25 RE
V.B. 25 - V.B. 25 RS

With mechanical brake



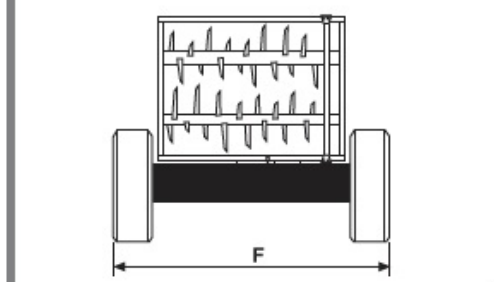
F The width gauge may vary to more than 20cm compared to what is shown in the technical data.

Compensating system Tandem with tyres 10.75/15 12 PR.

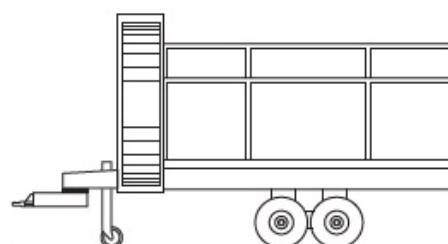
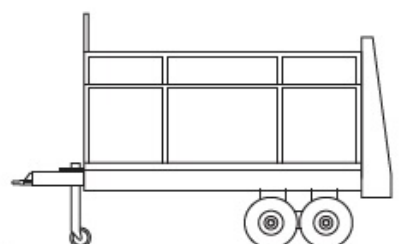
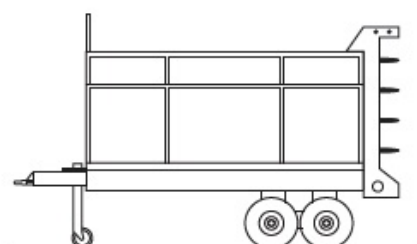


4 compensating wheels
tyres 10.75/15.3
Only for models
F.V.S. 40 - F.V.S. 40 VIGNERON
F.V.S. 45 - F.V.S. 35 VIGNERON
A.F.O. 35 - A.F.O. 45 RS - V.B. 40 N°S 75

With mechanical brake



F The width gauge may vary to more than 20cm compared to what is shown in the technical data.



- * The gauge width shown in the technical data can be increased by 20 cm