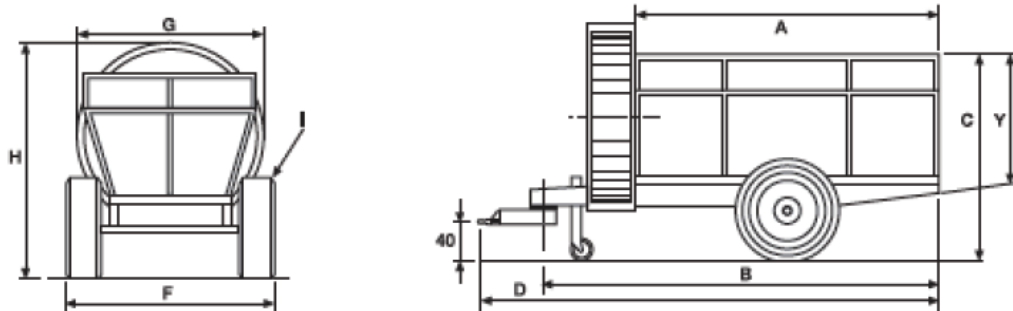





Manure spreader Mod. F.V.S. TOP





- Localized distribution on rows
- Cut-tube profiles structure with pickled sheet steel
- Deck and sides are made of treated larch planks
- 2 adjustable casings for localized distribution on the row
- Guides for chain running
- Extensible drawbar complete
- Wheels with mudguards
- SPECIAL ROTARY "SUPER S" WITH 2 DRIVING DISKS
- EDGE WITH CHAIN FEED
- HYDRAULIC ENGINE FOR CHAINS with a hydraulic control valve for speed regulation and a direction inverter with quick coupling operation of the tractor
- With rigid suspension
- Axle without brake
- With road lighting system
- Tractor n° 1 pair of hydraulic jacks for chains operation
- Cardan shaft



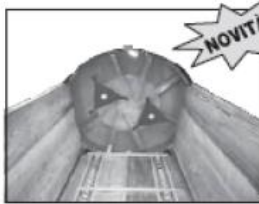
Costs of braking system to add

MOD. 1200	A mm	B mm	C mm	D mm	F mm	G mm	H mm	Y mm	TYRES	m ³	TARE Kg		€
FVS 25 TOP VIGNERON	3000	4050	1400	4600	1450	1200	1550	850	10/75/15 12 PR	2.5	1380	1800	
FVS 35 TOP VIGNERON	3500	4550	1400	5200	1450	1200	1550	850	10/75/15 12 PR	2.9	1500	1800	
FVS 40 TOP VIGNERON	4000	4950	1500	5500	1550	1200	1650	850	11/80/15 16 PR	3.3	1680	3000	
FVS 45 TOP VIGNERON	4500	5650	1500	6000	1550	1200	1650	850	11/80/15 16 PR	3.6	1750	3000	

MOD. 1300	A mm	B mm	C mm	D mm	F mm	G mm	H mm	Y mm	TYRES	m ³	TARE Kg		€
FVS 25 TOP	3200	4150	1400	4700	1650	1300	1650	850	10/75/15 12 PR	3.0	1470	2100	
FVS 35 TOP	3500	4650	1400	5200	1650	1300	1650	850	10/75/15 12 PR 5	3.3	1550	2100	
FVS 40 TOP	4000	4950	1500	5500	1850	1300	1850	850	13.0/65-18 16 PR	3.5	1680	3000	
FVS 45 TOP	4500	5650	1500	6000	1850	1300	1850	850	13.0/65-18 16 PR	4.0	1950	3000	

MOD. 1500	A mm	B mm	C mm	D mm	F mm	G mm	H mm	Y mm	TYRES	m ³	TARE KG		€
FVS 50 TOP	4500	5650	1500	6000	2050	1500	1950	850	13.0/65-18 16 PR	5.0	1950	3000	

STANDARD



Spreader with SUPER "S" special rotator



Engine for hydraulic chain



Edge with chain feed

ACCESSORIES ON DEMAND

COSTS OF BRAKING SYSTEM for 6000 Kg.

- **HYDRAULIC WITH PEDAL**



- **PNEUMATIC**

