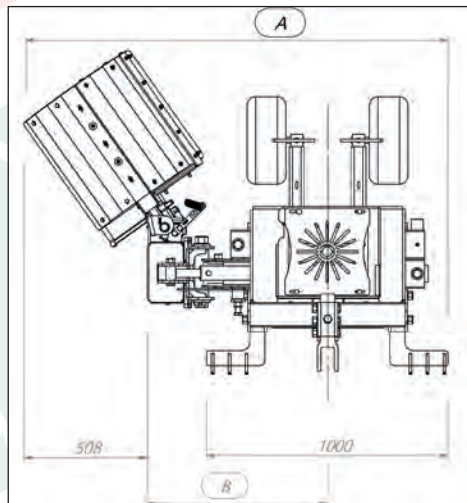
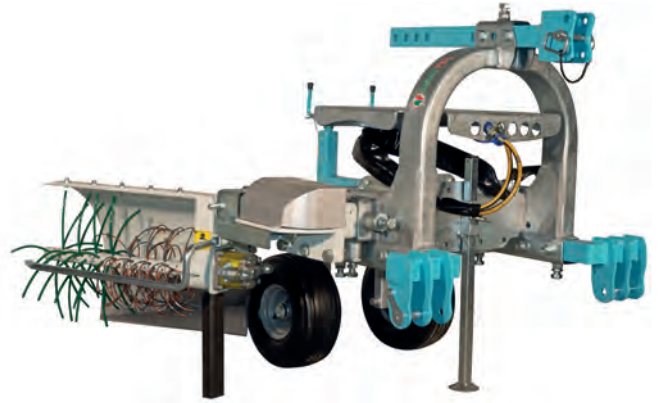




SWITCH GREEN DX ELECTRONIC

- 3 point hitch carried chassis
- Reversible chassis front - rear
- Cut-tube profile chassis
- Hydraulic telescope extension
- N°2 adjustable support rubber wheels
- Hydraulic system
- Tipping machine tool



MOD. mm	Kg	A min-max	B min-max	 HP	600  min-max
PICCOLO	from 360 to 580	1530-2030	1250-1750	30	1900 - 2700
MEDIO		1730-2230	1450-1950	30	2400 - 3300
GRANDE		1930-2430	1650-2150	30	2700 - 3500

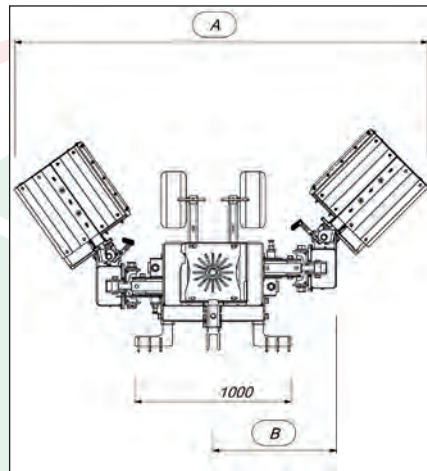
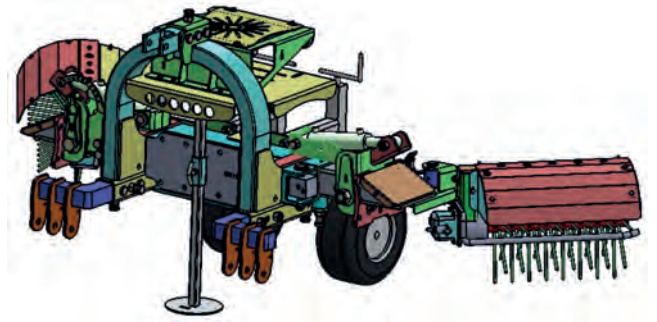
SWITCH GREEN DX PLUS *Electronic*



- Operation of the tractor oil system
- Hydraulic telescopic extension of the DX head with tractor oil
- Oil cooler 12 volt
- With ON OFF electric pushbutton for tipping machine rotation
- With tipping machine speed regulator
- Tractor with 2 pairs of double-acting hydraulic outlets
- Tractor Lt 40

Mod. PICCOLO
Mod. MEDIO
Mod. GRANDE

SWITCH GREEN DX - SX ELECTRONIC

- 3 point hitch carried chassis
- Reversible front - rear chassis
- Hydraulic telescope extension
- Cut-tube profile chassis
- N° 2 adjustable support rubber wheels
- Hydraulic system
- Tipping machine tool



MOD. mm	Kg	A min-max	B min-max	 HP	 600 min-max
PICCOLO	from 400 to 700	1800-2400	820-1320	50	1900 - 2700
MEDIO		2700-3300	1070-1570	50	2400 - 3300
GRANDE		2700-3500	1220-1720	50	2700 - 3500
MAGNUM		3000-4000	1420-1920	50	3000 - 4000

SWITCH GREEN DX-SX PLUS *Electronic*

- Operation of the tractor oil system
- Hydraulic telescopic extension of the DX-SX head with tractor oil
- Oil cooler 12 volt
- With ON OFF electric pushbutton for tipping machine rotation
- With tipping machine speed regulator
- Tractor with 2 pairs of double-acting hydraulic outlets
- Tractor Lt 40

Mod. PICCOLO
Mod. MEDIO
Mod. GRANDE
Mod. MAGNUM

SWITCH GREEN DX-SX PREMIUM *Electronic*

- System operation with oil tank and pump
- Hydraulic telescopic extension of head DX-SX with tractor oil
- Oil cooler 12 volt
- Tractor with N°1 pair of double-acting hydraulic jacks
- Tractor Lt 40
- With electric push-button pad ON-OFF tipping tool rotation
- Tractor: PTO 540 o 1000
- Suspended pump kit

Mod. PICCOLO

Mod. MEDIO

Mod. GRANDE

TO INDICATE

