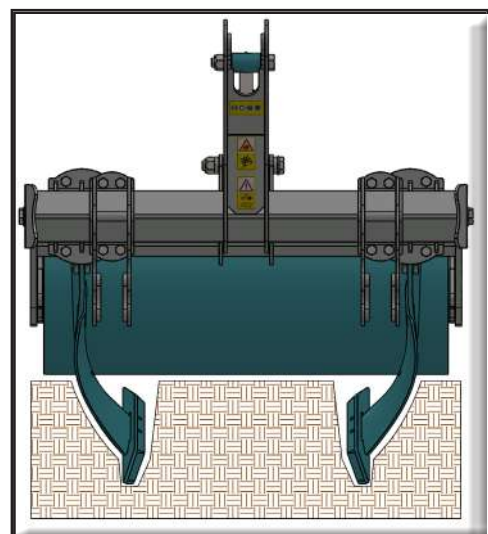
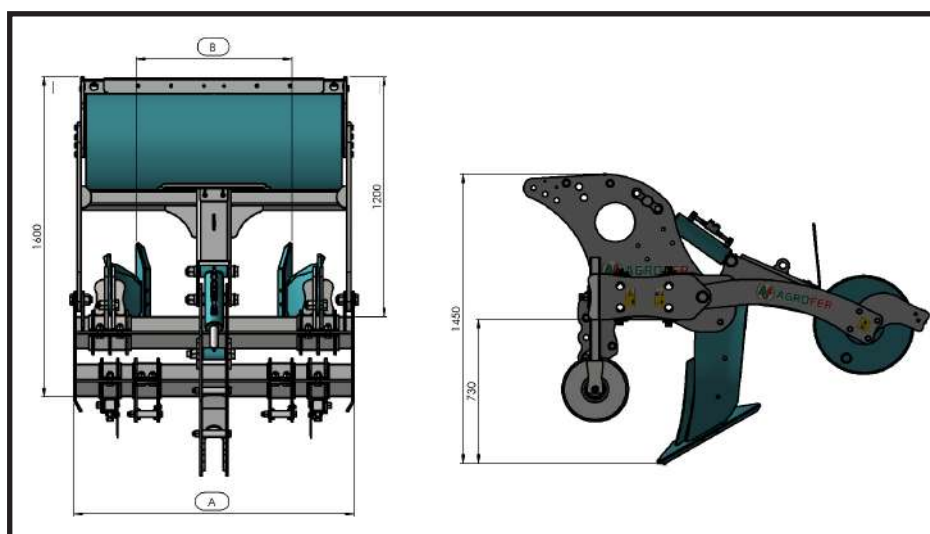
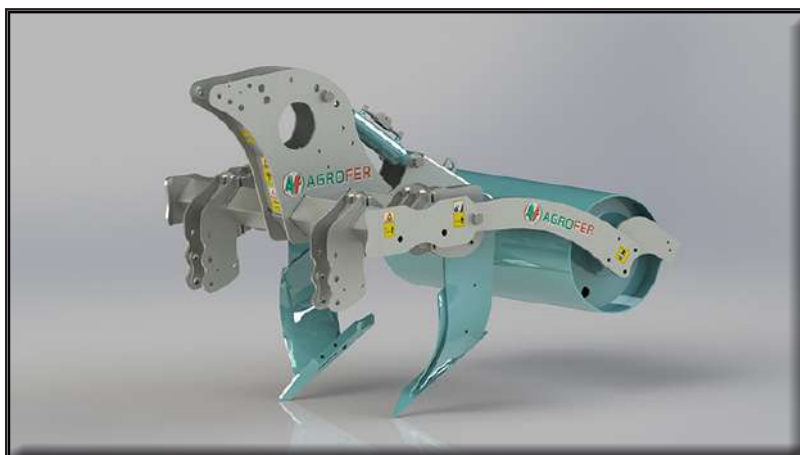


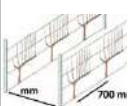


# SUBSOILER D.A.R.

- Double chassis in cut-tube profile 120x120x8
- Adjustable lifter attachments
- Adjustable anchor width
- Anchor safety bolt with anti-disgorging bushing
- Working depth roller  $\varnothing$  500 with tractor oil operation
- 800 mm height anchors
- N° 1 pair of double-acting hydraulic couplings on the tractor



**ANCHOR CURVED**

MOD. mm	Kg	N° ANCHORS	Ø ROLLER	A	B min-max	 HP	 mm	 700 m	€	€ WITHOUT ROLLER
D.A.R. 140	650	2	500	1400	800-1300	60 - 90	200 - 700	1800		
D.A.R. 170	730	2	500	1700	1100-1600	80 - 100	200 - 700	2600		
D.A.R. 170	730	2	500	2000	1100-1900	100	200-700	2900		