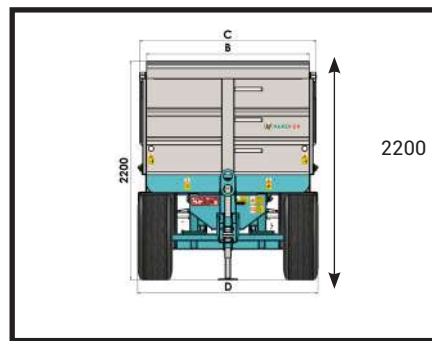
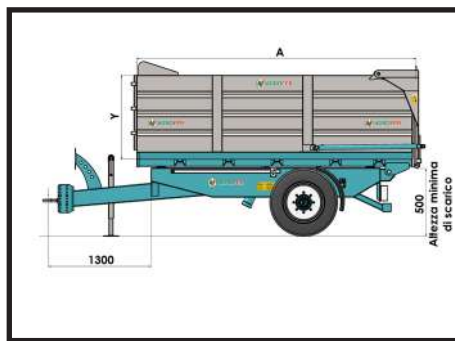


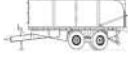


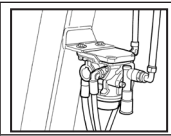
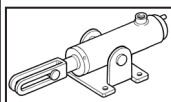
TRAILER AFRR INOX

- Complete with 2.5 mm thick AISI 304 watertight stainless steel tank
- Rigid axle with 8 holes and brake
- Steel frame
- Front fluid guard
- Rear hydraulic unloading with quick coupling operation of the tractor and end stroke valve
- Height-adjustable towing eyelet
- Manual support foot
- Rear tailgate with hydraulic opening, by oil tractor operation
- Tractor n° 1 pair of double-acting tractor oil hydraulic couplings



MOD.	A mm	B mm	C mm	D mm	Y mm		 m ³	 Kg.	€	BRAKING SYSTEM COST
AF RR INOX 35x18	3500	1800	2000	2000	1200	355/50 R22.2	5.5	1930		a parte
AF RR INOX 38x18	3800	1800	2000	2000	1200	355/50 R22.2	6.5	2050		a parte
AF RR INOX 40x20	4000	2000	2200	2200	1200	355/50 R22.2	8	2200		a parte

BRAKING SYSTEM COST FOR 6000- 8000 Kg

	PNEUMATIC	
	HYDRAULIC WITH PEDAL	