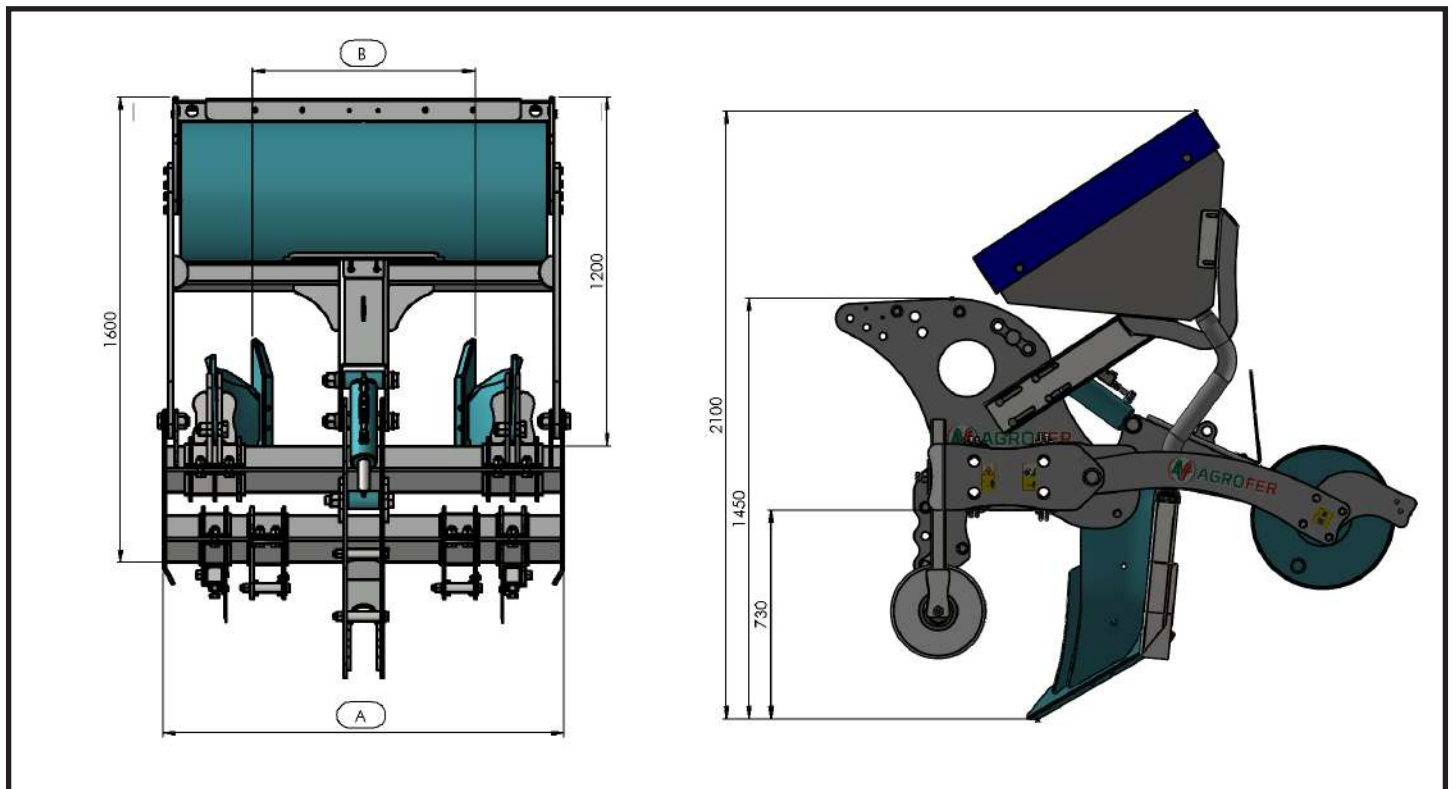
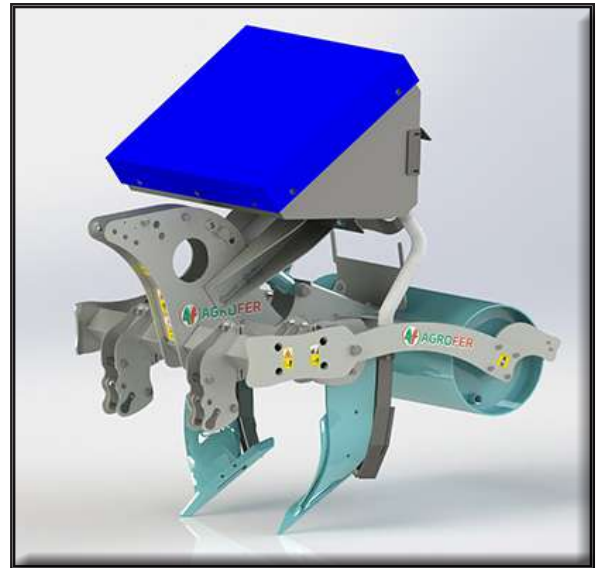


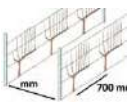


SUBSOILER D.A.R. C

- Double frame in sectioned tubular 120x120x8
- Width-adjustable linkage to be applied to any tractor
- Adjustable anchor width
- Anchor safety bolt with anti-disgorging bushing
- Working depth roller with tractor oil operation
- 800 mm height anchors
- Complete with stainless steel tank with a capacity of 450 lt. with hydraulic auger
- Hydraulic opening for product dosage
- Manual regulator
- Tractor with 6 double-acting hydraulic outlets



MOD. mm	Kg	N° ANCHORS	Ø ROLLER	A	B min-max	 HP	 mm	 700 mm	€
D.A.R.C 140	750	2	500	1300	800-1400	60 - 90	200 - 700	1800	
D.A.R.C 170	890	2	500	1700	1100-1700	80 - 100	200 - 700	2600	
D.A.R.C 170	960	2	500	2000	1100-1900	100	200-700	2900	