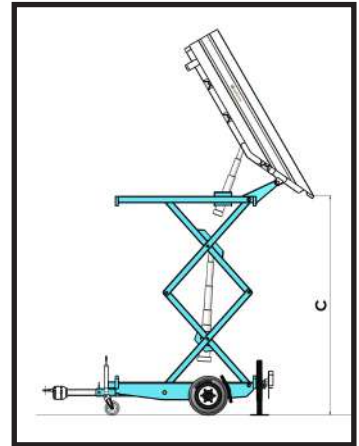
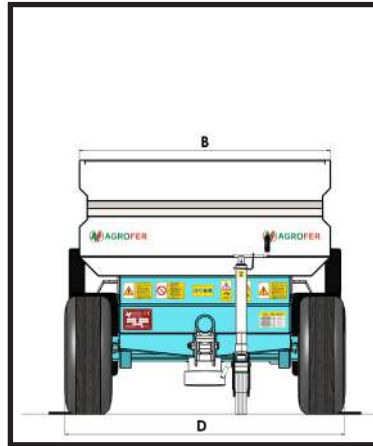
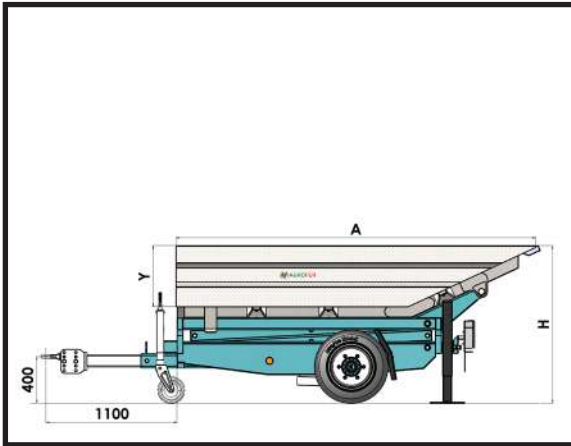


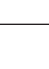




TRAILER DDF INOX

- Cart for grape harvest and transport
- Watertight container made of stainless steel "AISI 304 patterned sheet"
- Fix drawbar
- Height-adjustable towing eyelet
- Movable support foot
- Double scissors structure, hydraulic lifting with hydraulic cylinder by tractor oil
- With rear unload; container lifting with hydraulic cylinder operated by tractor oil
- Tractor: 2 pairs of double-acting hydraulic connections
- Rigid axle with mechanical brake



MOD.	A mm	B mm	C mm	D mm	Y mm	H mm		 Kg.	 M3	€
DDF 13	3000	1300	3500	1400	500	1300	200/60-14,5	1100	1.7	
DDF 15	3000	1500	3500	1600	500	1300	200/60-14,5	1200	2.5	
DDF 18	4000	1800	3000	1800	500	1500	340/55-16	2650	5.0	

BRAKING COST FOR 6000 Kg

	PNEUMATIC	
	HYDRAULIC WITH PEDAL	