



# AGROFER



CART / REMORQUE / ANHÄNGER / REMOLQUE / ТЕЛЕЖКА

## CARRI

[www.agrofer.it](http://www.agrofer.it)



# Indice

---

**G40 RT** 2

**G40 RT Tandem** 4

**E12 - E12 Big** 6

**ECO S** 8

**Box Train ONE** 10

**Telescopico** 11

---

**PCB/3** 16

**PCB Bins Tandem** 18

---

**CS** 22

---

**G40 TM RE** 24

**G40 TM RS** 26

**PM RS TANDEM S** 28

---

**PTM** 32

**PMG** 34

**PMG AS** 34

---

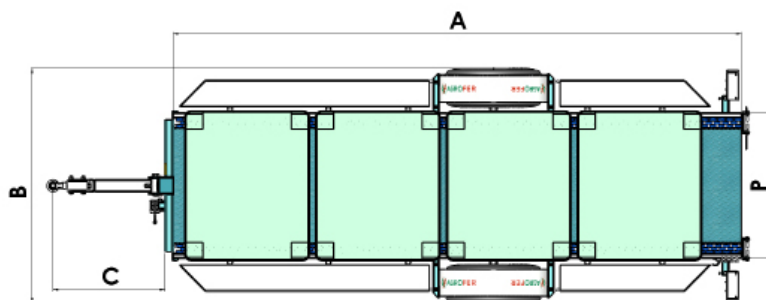
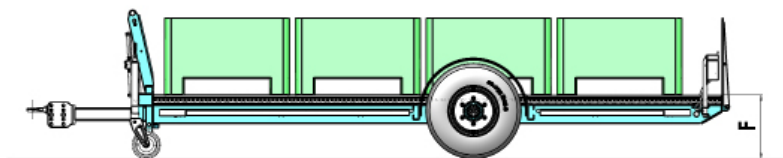
**VASCHE** 38

**DDF INOX** 40



**AFRR INOX** 42

**AFRR TA INOX** 44



# G40 RT





## Mod. G40 RT BINS 113x113 – 120x110

| MOD.     | N. Cassoni      | A mm | B mm | C mm | P mm | F mm |  | <br>Kg |
|----------|-----------------|------|------|------|------|------|---|---|
| G40 RT/3 | 3               | 3440 | 1850 | 1000 | 1250 | 550  | 10.075 15.3   | 550   |
| G40 RT/4 | 4               | 4570 | 1850 | 1000 | 1250 | 550  | 10.075 15.3   | 580   |
| G40 RT/S | 6 Pallet 120x80 | 4900 | 1850 | 1000 | 1250 | 550  | 10.075 15.3   | 620   |
| G40 RT/5 | 5               | 5700 | 1850 | 1000 | 1250 | 550  | 10.075 15.3   | 680   |

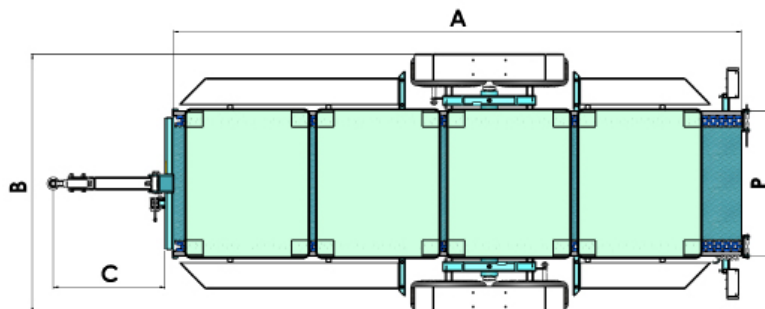
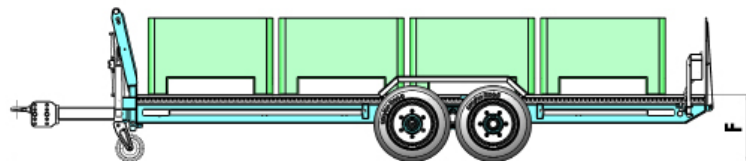
## Mod. G40 RT SA BINS 120x100 – 120x80

| MOD.        | N. Cassoni | A mm | B mm | C mm | P mm | F mm |  | <br>Kg |
|-------------|------------|------|------|------|------|------|---|---|
| G40 RT/3 SA | 3          | 3640 | 1650 | 1000 | 1050 | 550  | 10.075 15.3   | 550   |
| G40 RT/4 SA | 4          | 4900 | 1650 | 1000 | 1050 | 550  | 10.075 15.3   | 600   |
| G40 RT/5 SA | 5          | 6050 | 1650 | 1000 | 1050 | 550  | 10.075 15.3   | 680   |
| G40 RT/6 SA | 6          | 7100 | 1650 | 1000 | 1050 | 550  | 10.075 15.3   | 760   |



## Mod. G40 RT LS BINS 120x100 – 120x80

| MOD.        | N. Cassoni | A mm | B mm | C mm | P mm | F mm |  | <br>Kg |
|-------------|------------|------|------|------|------|------|---|---|
| G40 RT/3 LS | 3          | 3050 | 1850 | 1000 | 1250 | 550  | 10.075 15.3   | 550   |
| G40 RT/4 LS | 4          | 4050 | 1850 | 1000 | 1250 | 550  | 10.075 15.3   | 550   |
| G40 RT/5 LS | 5          | 5050 | 1850 | 1000 | 1250 | 550  | 10.075 15.3   | 600   |
| G40 RT/6 LS | 6          | 6050 | 1850 | 1000 | 1250 | 550  | 10.075 15.3   | 680   |
| G40 RT/7 LS | 7          | 7100 | 1850 | 1000 | 1250 | 550  | 10.075 15.3   | 760   |



# G40 RT TANDEM





## Mod. G40 RT TA BINS 113x113 – 120x110

| MOD.        | N. Cassoni      | A mm | B mm | C mm | P mm | F mm |  | <br>Kg |
|-------------|-----------------|------|------|------|------|------|---|---|
| G40 RT/4 TA | 4               | 4570 | 1950 | 1000 | 1250 | 550  | 200/60 14.5   | 680   |
| G40 RT/S TA | 6 Pallet 120x80 | 4900 | 1950 | 1000 | 1250 | 550  | 200/60 14.5   | 720   |
| G40 RT/5 TA | 5               | 5700 | 1950 | 1000 | 1250 | 550  | 200/60 14.5   | 800   |



## Mod. G40 RT TA SA BINS 120x100 – 120x80

| MOD.           | N. Cassoni | A mm | B mm | C mm | P mm | F mm |  | <br>Kg |
|----------------|------------|------|------|------|------|------|---|---|
| G40 RT/4 SA TA | 4          | 4900 | 1800 | 1000 | 1050 | 500  | 200/60 14.5   | 720   |

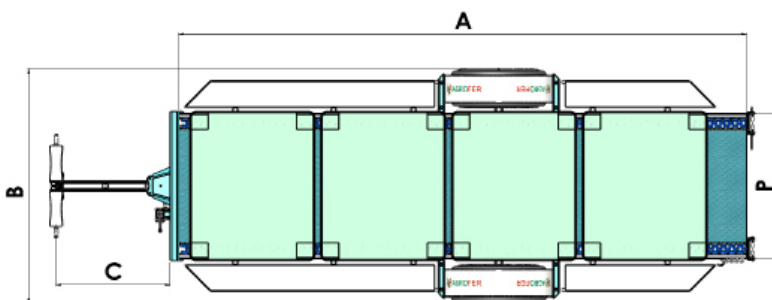
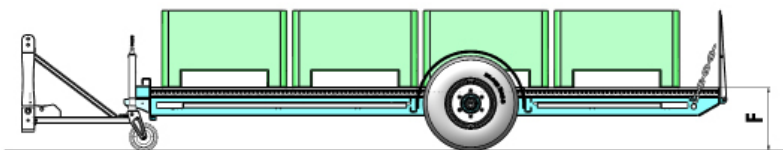
## Mod. G40 RT TA LS BINS 120x100 – 120x80

| MOD.           | N. Cassoni | A mm | B mm | C mm | P mm | F mm |  | <br>Kg |
|----------------|------------|------|------|------|------|------|---|---|
| G40 RT/4 LS TA | 4          | 4050 | 1950 | 1000 | 1250 | 550  | 200/60 14.5   | 650   |
| G40 RT/5 LS TA | 5          | 5050 | 1950 | 1000 | 1250 | 550  | 200/60 14.5   | 720   |

## Mod. G40 RT TA SUPER



| MOD.                 | N. Cassoni | A mm | B mm | C mm | P mm | F mm |  | <br>Kg |
|----------------------|------------|------|------|------|------|------|---|---|
| G40 RT/5 super TA    | 5          | 5700 | 2050 | 1000 | 1250 | 550  | 10.075 15.3   | 850   |
| G40 RT/5 super SA TA | 5          | 6050 | 1850 | 1000 | 1050 | 500  | 10.075 15.3   | 880   |
| G40 RT/6 super LS TA | 6          | 6050 | 2050 | 1000 | 1250 | 550  | 10.075 15.3   | 880   |
| G40 RT/7 super LS TA | 7          | 7100 | 2050 | 1000 | 1250 | 550  | 10.075 15.3   | 880   |

# E12 - E12 BIG









### Mod. E12 BINS 113x113 – 120x110

| MOD.   | N. Cassoni | A mm | B mm | C mm | F mm | P mm |  | <br>Kg |
|--------|------------|------|------|------|------|------|---|---|
| E12 /3 | 3          | 3440 | 1850 | 850  | 550  | 1250 | 10.075 15.3   | 550   |
| E12 /4 | 4          | 4570 | 1850 | 850  | 550  | 1250 | 10.075 15.3   | 630   |
| E12 /5 | 5          | 5700 | 1850 | 850  | 550  | 1250 | 10.075 15.3   | 650   |



### Mod. E12 SA BINS 120x100 – 120x80

| MOD.     | N. Cassoni | A mm | B mm | C mm | F mm | P mm |  | <br>Kg |
|----------|------------|------|------|------|------|------|---|---|
| E12/3 SA | 3          | 3640 | 1650 | 850  | 550  | 1050 | 10.075 15.3   | 550   |
| E12/4 SA | 4          | 4860 | 1650 | 850  | 550  | 1050 | 10.075 15.3   | 630   |



### Mod. E12 LS BINS 120x100 – 120x80

| MOD.     | N. Cassoni | A mm | B mm | C mm | F mm | P mm |  | <br>Kg |
|----------|------------|------|------|------|------|------|--|--|
| E12/3 LS | 3          | 3050 | 1850 | 450  | 450  | 1250 | 10.075 15.3  | 450  |
| E12/4 LS | 4          | 4050 | 1850 | 450  | 450  | 1250 | 10.075 15.3  | 490  |
| E12/5 LS | 5          | 5050 | 1850 | 450  | 450  | 1250 | 10.075 15.3  | 550  |

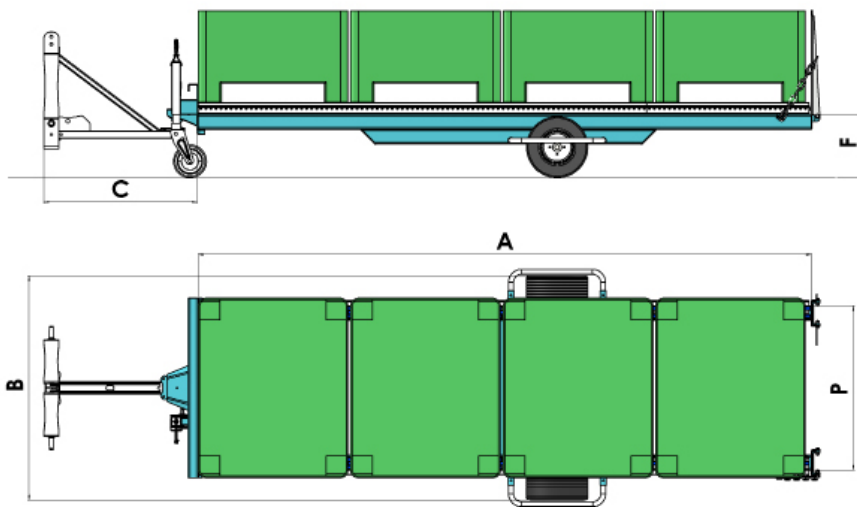
### Mod. E12 BIG SA TELAIO DA 150X150



| MOD.     | N. Cassoni | A mm | B mm | C mm | F mm | P mm |  | <br>Kg |
|----------|------------|------|------|------|------|------|---|---|
| E12/5 SA | 5          | 6050 | 1650 | 500  | 450  | 1050 | 10.075 15.3   | 850   |
| E12/6 SA | 6          | 7100 | 1650 | 500  | 450  | 1050 | 10.075 15.3   | 880   |

### Mod. E12 BIG LS TELAIO DA 150X150

| MOD.     | N. Cassoni | A mm | B mm | C mm | F mm | P mm |  | <br>Kg |
|----------|------------|------|------|------|------|------|---|---|
| E12/6 LS | 6          | 6050 | 1850 | 500  | 450  | 1250 | 10.075 15.3   | 850   |
| E12/7 LS | 7          | 7100 | 1850 | 500  | 450  | 1250 | 10.075 15.3   | 880   |

# ECO S



| MOD.        | N.<br>Cassoni | A<br>mm | B<br>mm | C<br>mm | F<br>mm | P<br>mm |  | <br>Kg |
|-------------|---------------|---------|---------|---------|---------|---------|---|---|
| ECO 3.S.    | 3             | 3400    | 1500    | 850     | 450     | 1100    | 16.5x6.5-8  | 300   |
| ECO 4.S.    | 4             | 4530    | 1500    | 850     | 450     | 1100    | 16.5x6.5-8  | 380   |
| ECO 3 SA.S. | 3             | 3640    | 1380    | 850     | 450     | 800     | 16.5x6.5-8  | 320   |
| ECO 4 SA.S. | 4             | 4860    | 1380    | 850     | 450     | 800     | 16.5x6.5-8  | 430   |
| ECO 3 LS.S  | 3             | 3050    | 1500    | 850     | 450     | 1100    | 16.5x6.5-8  | 300   |
| ECO 4 LS.S  | 4             | 4050    | 1500    | 850     | 450     | 1100    | 16.5x6.5-8  | 430   |

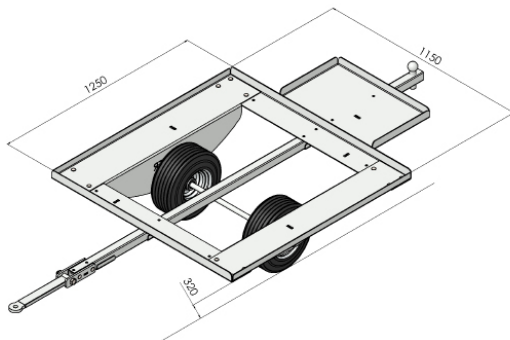
# BOX TRAIN ONE1-ONE2



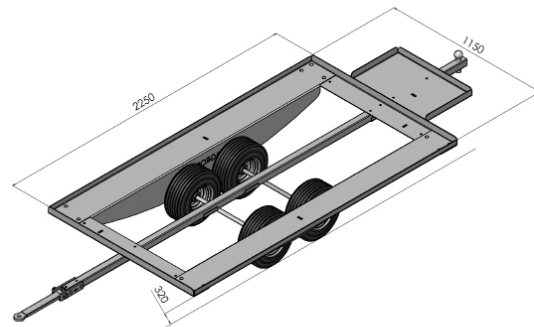
**ONE 1**



**ONE 2**

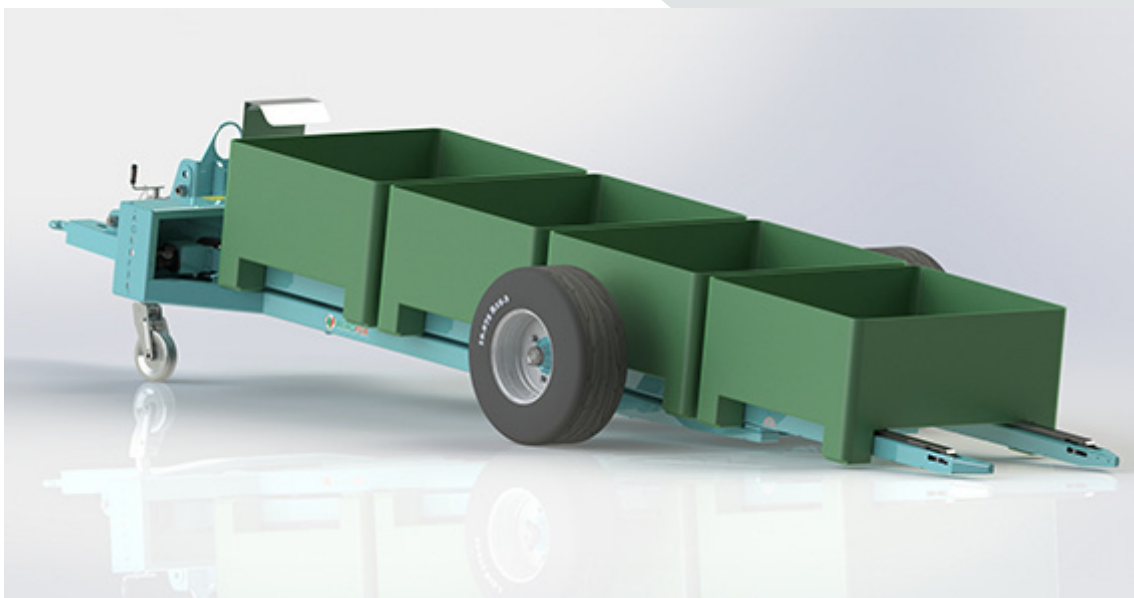


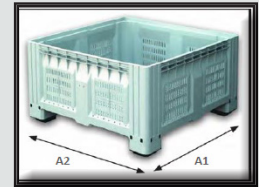
**ONE 1 80Kg**



**ONE 2 200Kg**

# TELESCOPICO







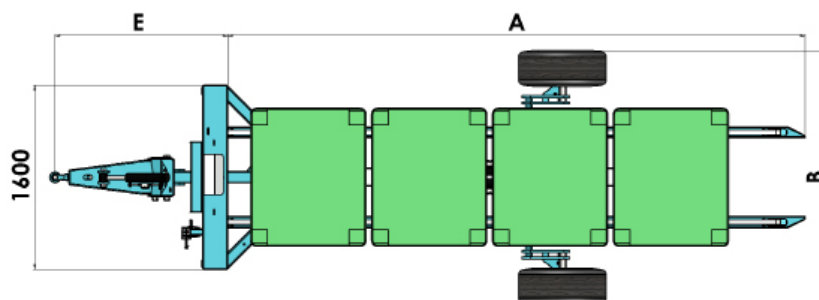
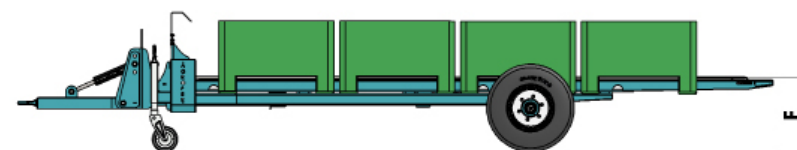
**DIMENSIONE BINS**

|     |                |
|-----|----------------|
| A1  | A2             |
| 113 | 113            |
| 120 | 110            |
| 120 | 100            |
| 120 | 120            |
| 120 | 80 A RICHIESTA |



## Mod. Telescopico TOP Electronic

| MOD.             | N. Cassoni | A mm | F mm min-max | E mm |  Kg |  B |
|------------------|------------|------|--------------|------|--|---|
| Telescopico EL/4 | 4          | 5000 | 100-600      | 1280 | 1050   | 10.075 15.3 – B=2050<br>340/55-16 B=2150  |
| Telescopico EL/5 | 5          | 6000 | 100-600      | 1280 | 1150   |   |





**AGROFER**



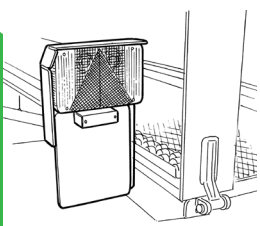
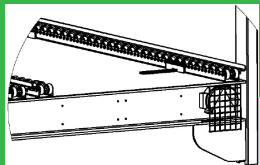
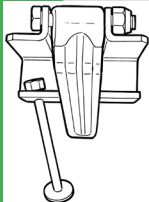
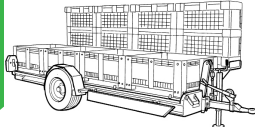
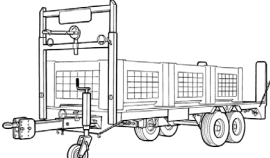
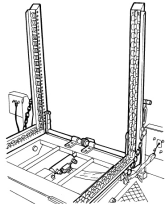
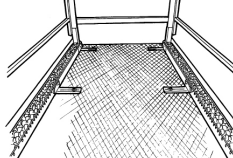
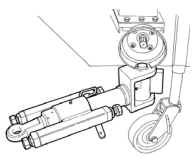
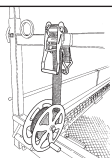
# CENTINA IDRAULICA PER G40-E12



| Min mm | Max mm |
|--------|--------|
| 3300   | 7000   |
| 1300   | 1800   |
| H 1620 | 2820   |





# Accessori

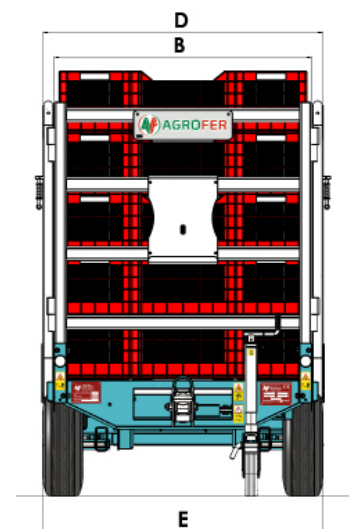
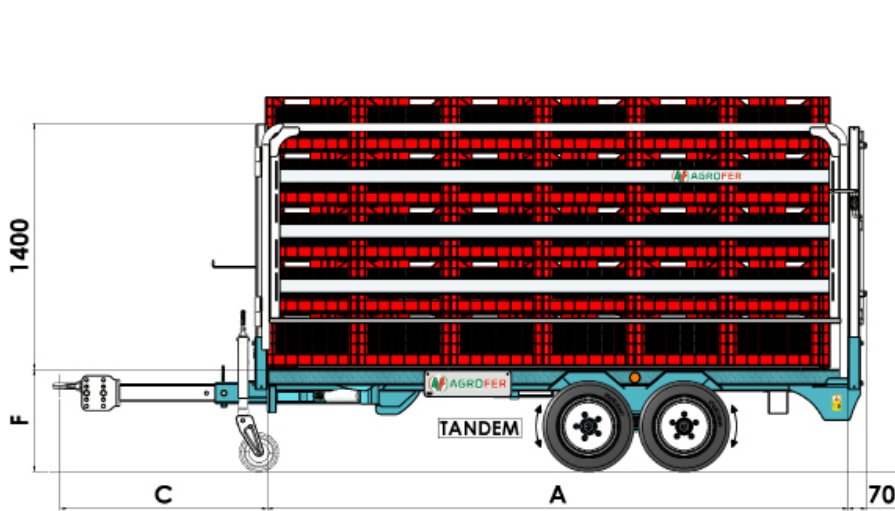
|   |        |                                       |
|---|--------|---------------------------------------|
|    | CR 001 | E12 / ECO S / TELESCOPICO             |
|    | CR 002 | N° 2 3000 - 4000 mm                   |
|   | CR 003 | N° 2 4000 - 6000 mm                   |
|   | CR 004 | N° 2 6000 - 8000 mm                   |
|    | CR 018 | G40 RT / G40 RT TA<br>E12 - ECO S     |
|   | CR 005 | G40 RT / G40 RT TA / E12              |
|  | CR 006 | G40 RT / G40 RT TA / E12<br>ECO S     |
|  | CR 007 | G40 RT / G40 RT TA / E12              |
|  | CR 008 | G40 RT / G40 RT TA / E12              |
|   | CR 009 |                                       |
|  | CR 010 | G40 RT / G40 RT TA                    |
|  | CR 021 | G40 RT / E12 / ECO S /<br>TELESCOPICO |

# PBC/3





| MOD.  | A mm | B mm | C mm | D mm | E mm | F mm |  | <br>Kg |
|---|------|------|------|------|------|------|---|---|
| Mod. PBC/3 – 950<br>Ruote 20.5/ 8.00-10       | 3300 | 950  | 1000 | 1050 | 1050 | 600  | 20.5/<br>8.00-10  | 660   |
| Mod. PBC/3 – 1300<br>Ruote 20.5/ 8.00-10      | 3300 | 1300 | 1000 | 1400 | 1400 | 600  | 20.5/<br>8.00-10  | 720   |
| Mod. PBC/3 – 1450<br>Ruote 20.5/ 8.00-10      | 3300 | 1450 | 1000 | 1550 | 1450 | 600  | 20.5/<br>8.00-10  | 760   |
| Mod. PBC/3 – 4100x1300<br>Ruote 20.5/ 8.00-10 | 4100 | 1300 | 1000 | 1400 | 1400 | 600  | 20.5/<br>8.00-10  | 780   |
| Mod. PBC/3 – 4100x1450<br>Ruote 20.5/ 8.00-10 | 4100 | 1450 | 1000 | 1550 | 1450 | 600  | 20.5/<br>8.00-10  | 800   |
|   |      |      |      |      |      |      |   |   |
| Mod. PBC/3 – 4100x1300<br>Ruote 200/60 – 14.5 | 4100 | 1300 | 1000 | 1400 | 1400 | 720  | 200/6014.5  | 780   |
| Mod. PBC/3 – 4100x1450<br>Ruote 200/60 – 14.5 | 4100 | 1450 | 1000 | 1550 | 1450 | 720  | 200/6014.5  | 800   |
| Mod. PBC/3 – 5000x1300<br>Ruote 200/60 – 14.5 | 5000 | 1300 | 1000 | 1400 | 1400 | 720  | 200/6014.5  | 860   |

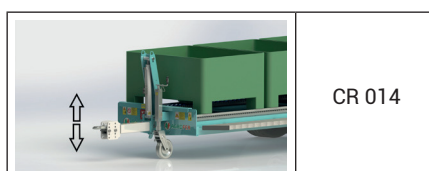
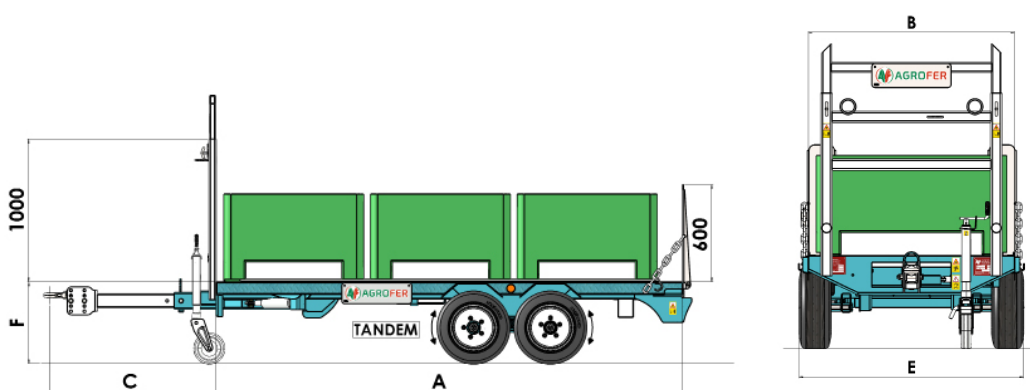
|   |      |      |      |      |      |     |             |     |
|---|------|------|------|------|------|-----|-------------|-----|
| Mod. PBC/3 – 6000x1300<br>Ruote 200/60 - 14.5   | 6000 | 1300 | 1000 | 1400 | 1400 | 720 | 200/6014.5  | 900 |
| Mod. PBC/3 – 5000x1700<br>Ruote 10/075.15 12 PR | 5000 | 1700 | 1000 | 1800 | 1600 | 720 | 10.075 15.3 | 990 |



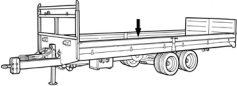
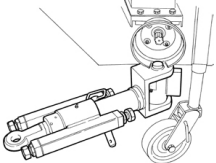
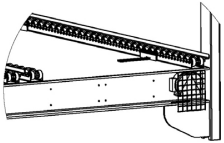
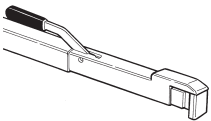
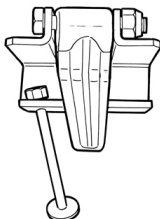
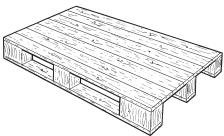
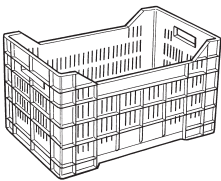
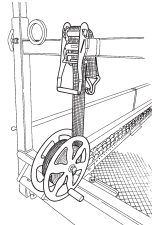
# PBC BINS TANDEM



| MOD.             | A mm | B mm | C mm | E mm | F mm |  | <br>Kg |
|------------------|------|------|------|------|------|---|---|
| PBC/3 BINS 33x9  | 3300 | 950  | 1000 | 1050 | 600  | 20.5 8.00-10  | 600   |
| PBC/3 BINS 30x13 | 3050 | 1300 | 1000 | 1400 | 600  | 20.5 8.00-10  | 600   |
| PBC/3 BINS 33x13 | 3300 | 1300 | 1000 | 1400 | 600  | 20.5 8.00-10  | 720   |
| PBC/3 BINS 33x14 | 3300 | 1450 | 1000 | 1550 | 600  | 20.5 8.00-10  | 760   |
| PBC/3 BINS 41x13 | 4100 | 1300 | 1000 | 1400 | 600  | 20.5 8.00-10  | 780   |
| PBC/3 BINS 41x14 | 4100 | 1450 | 1000 | 1550 | 600  | 20.5 8.00-10  | 800   |
|                  |      |      |      |      |      |   |   |
| PBC/3 BINS 34x13 | 3450 | 1300 | 1000 | 1400 | 600  | 20.5 8.00-10  | 600   |
| PBC/3 BINS 37x13 | 3700 | 1300 | 1000 | 1400 | 600  | 20.5 8.00-10  | 700   |
| PBC/3 BINS 46x13 | 4600 | 1300 | 1000 | 1400 | 600  | 20.5 8.00-10  | 780   |
| PBC/3 BINS 49x13 | 4900 | 1300 | 1000 | 1400 | 600  | 20.5 8.00-10  | 780   |



# Accessori

|   |  |   |
|---|--|---|
|    | CR 015   |   |
|   | CR 016   |   |
|    | CR 010   |   |
|   | CR 010 B   |   |
|    | CR 002   |   |
|   | CR 003   |   |
|    | CR 017   |   |
|   | CR 018   |   |
|  | PALLET<br>IN PLASTICA<br>PLASTIC<br>PLASTIK<br>PLASTIQUE<br>EL PLASTICO<br>PLASTICO<br>ПЛАСТИК | mm 1300x1100x150h<br>liscio                         |
|   |  | mm 1300x1100x150h<br>con bordo ferro ferma casse    |
|  | BOX<br>PLASTICA<br>PLASTIC<br>PLASTIK<br>PLASTIQUE<br>EL PLASTICO<br>PLASTICO<br>ПЛАСТИК       | FONDO CHIUSO - PARETI FORATE<br>cm 53,5x35,5x31,5 h |
|   |  | TUTTA CHIUSA<br>cm 53,5x35,5x31,5 h                 |
|   |  | TUTTA FORATA<br>cm 53,5x35,5x31,5 h                 |
|  | CR 021   |   |

HYDRAULIC RIB PVC/3 / STRUCTURE HYDRAULIQUE PVC/3 / HYDRAULISCHE RIPPENSTRUKTUR  
PVC/3 / ESTRUTURA HIDRÁULICA COM NERVURAS PVC/3 /  
ESTRUCTURA ACANALADA HIDRÁULICA PVC/3 / ГИДРАВЛИЧЕСКАЯ РЕБРИЧНАЯ  
КОНСТРУКЦИЯ PVC/3

# CENTINA IDRAULICA PVC/3



| Min<br>mm | Max<br>mm |
|-----------|-----------|
| 3300      | 6000      |
| 1300      | 1800      |
| H 1620    | H 2820    |

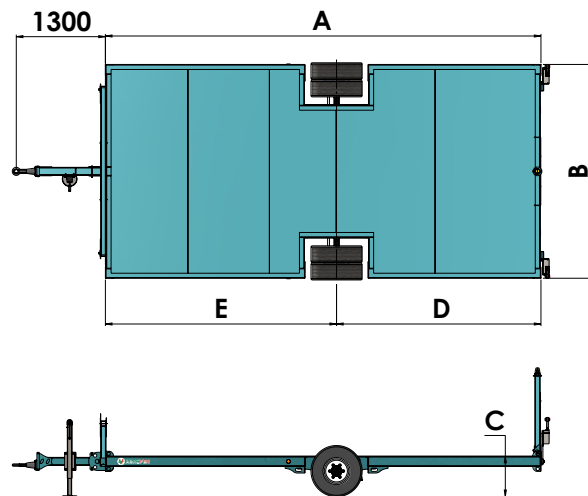
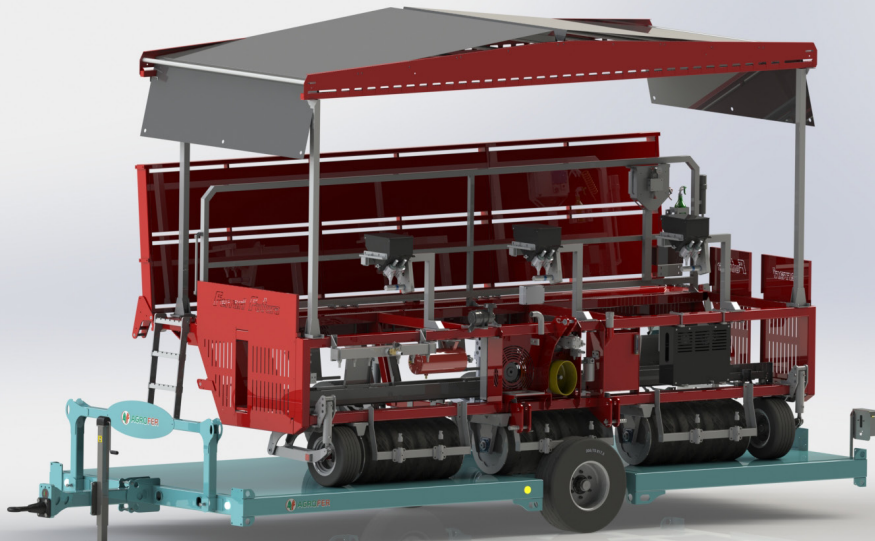




**AGROFER**





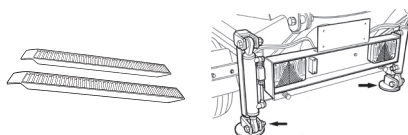
# PIANALE CS.P



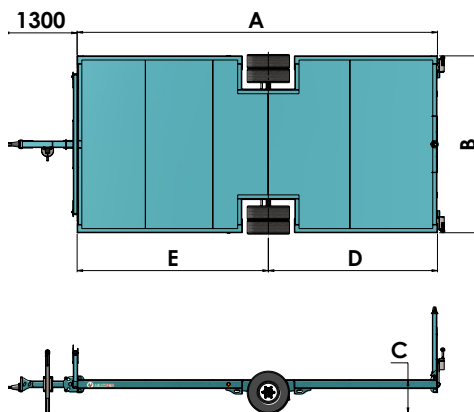
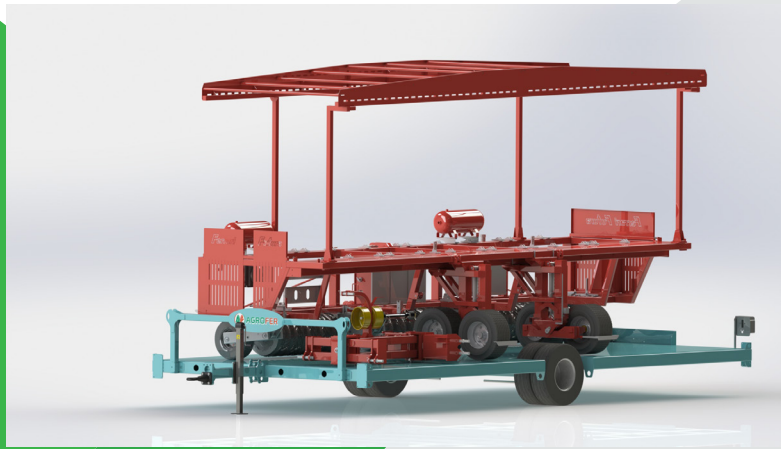
| MOD.<br>CS.P | D<br>mm | A<br>mm | B<br>mm | C<br>mm | E<br>mm | <br>N°2 | <br>Kg |
|--------------|---------|---------|---------|---------|---------|--|---|
| CS 63x25     | 2800    | 6300    | 2500    | 500     | 3500    | 235/75175  | 2000  |



ACCESSORIES / ACCESSOIRES / ZUBEHÖR / ACESSÓRIOS /  
ACCESORIOS / АКЦЕССУАРЫ

## Accessori



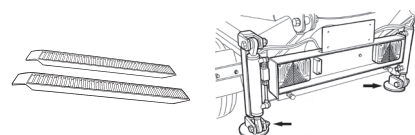
# PIANALE CS.G



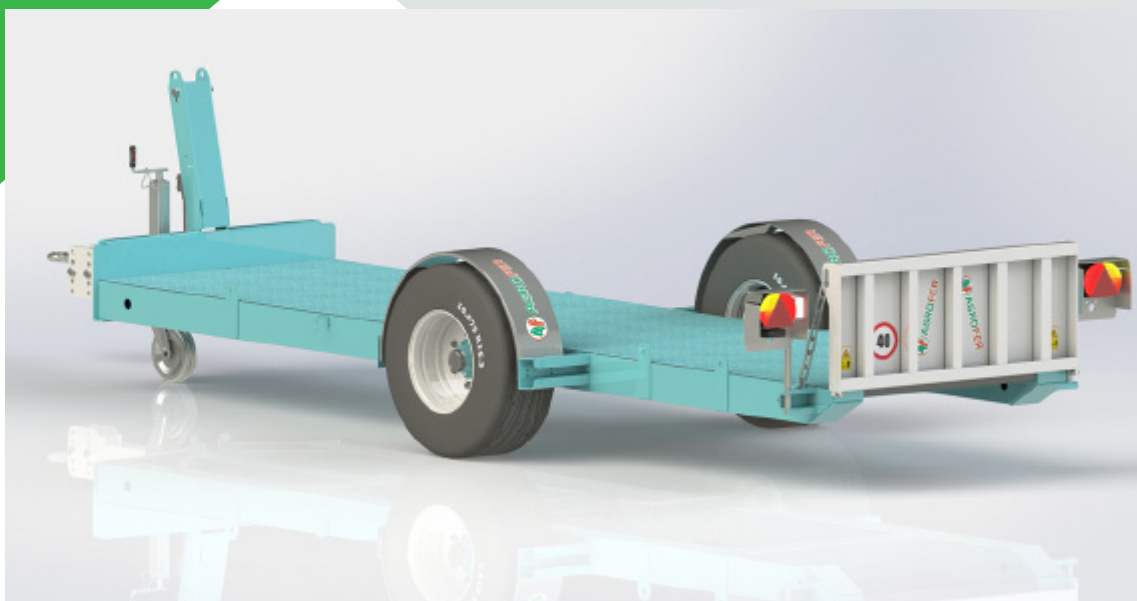
| MOD.<br>CS.G | D<br>mm | A<br>mm | B<br>mm | C<br>mm | E<br>mm | <br>N°4 | <br>Kg |
|--------------|---------|---------|---------|---------|---------|---|---|
| CS.G 65x32   | 2800    | 6500    | 3200    | 650     | 3500    | 205/75175   | 2600  |
| CS.G 75x32   | 3550    | 7500    | 3200    | 650     | 3950    | 205/75175   | 3100  |



ACCESSORIES / ACCESSOIRES / ZUBEHÖR / ACESSÓRIOS /  
ACCESORIOS / АКЦЕССУАРЫ



## Accessori

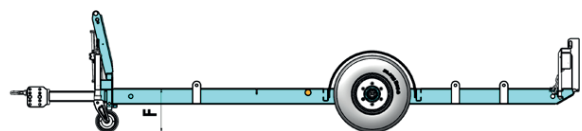
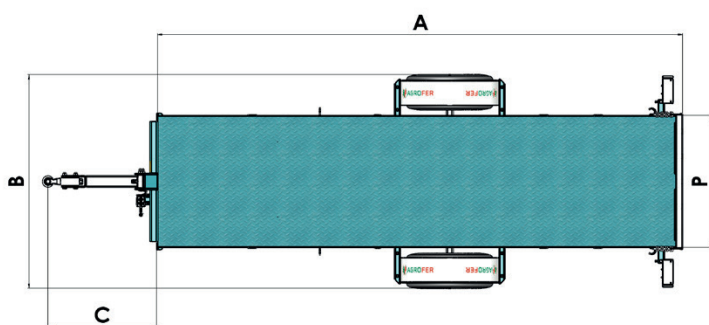


# G40 TM RE




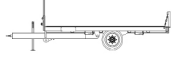
| MOD.            | P<br>mm | A<br>mm | B<br>mm | C<br>mm | F<br>mm |  | <br>Kg |
|-----------------|---------|---------|---------|---------|---------|---|---|
| G40 TM RE 40.14 | 1400    | 4000    | 2000    | 1000    | 400     | 10.075 15.3   | 550   |
| G40 TM RE 45.14 | 1400    | 4500    | 2000    | 1000    | 400     | 10.075 15.3   | 580   |
| G40 TM RE 50.14 | 1400    | 5000    | 2000    | 1000    | 400     | 10.075 15.3   | 620   |
| G40 TM RE 60.14 | 1400    | 6000    | 2000    | 1000    | 400     | 10.075 15.3   | 680   |

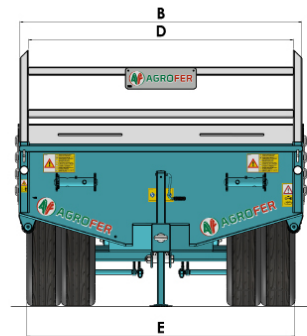
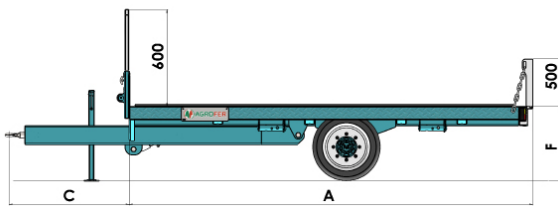
| MOD. S.         | P<br>mm | A<br>mm | B<br>mm | C<br>mm | F<br>mm |  | <br>Kg |
|-----------------|---------|---------|---------|---------|---------|---|---|
| G40 TM RE 40.16 | 1600    | 4000    | 2200    | 1000    | 400     | 10.075 15.3   | 680   |
| G40 TM RE 45.16 | 1600    | 4500    | 2200    | 1000    | 400     | 10.075 15.3   | 720   |
| G40 TM RE 50.16 | 1600    | 5000    | 2200    | 1000    | 400     | 10.075 15.3   | 750   |
| G40 TM RE 60.16 | 1600    | 6000    | 2200    | 1000    | 400     | 10.075 15.3   | 850   |



# G40 TM RS




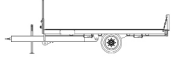
| MOD.              | A<br>mm | B<br>mm | C<br>mm | D<br>mm | F<br>mm | E<br>mm |  | <br>Kg |
|-------------------|---------|---------|---------|---------|---------|---------|---|---|
| G40 TM RS 41x20   | 4100    | 2000    | 1300    | 1940    | 750     | 1900    | 215/75<br>R17.5   | 1100  |
| G40 TM RS 45x22,5 | 4500    | 2250    | 1300    | 2190    | 750     | 2150    | 215/75<br>R17.5   | 1500  |
| G40 TM RS 50x22,5 | 5000    | 2250    | 1300    | 2190    | 750     | 2150    | 215/75<br>R17.5   | 1600  |
| G40 TM RS 50x24,5 | 5000    | 2450    | 1300    | 2390    | 750     | 2350    | 215/75<br>R17.5   | 1720  |
| G40 TM RS 55x24,5 | 5500    | 2450    | 1300    | 2390    | 750     | 2350    | 215/75<br>R17.5   | 1800  |
| G40 TM RS 60x24,5 | 6000    | 2450    | 1300    | 2390    | 750     | 2350    | 215/75<br>R17.5   | 2020  |
| G40 TM RS 65x24,5 | 6500    | 2450    | 1300    | 2390    | 750     | 2350    | 215/75<br>R17.5   | 2150  |

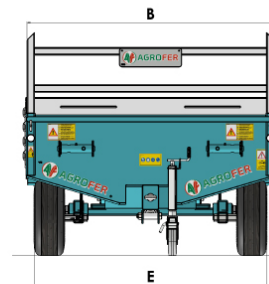
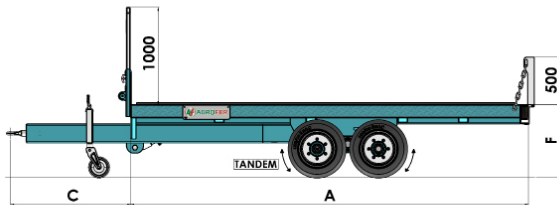


# PM RS TANDEM S





| MOD.<br>mm        | A<br>mm | B<br>mm | C<br>mm | E<br>mm | F<br>mm |  | <br>Kg |
|-------------------|---------|---------|---------|---------|---------|---|---|
| PM. RS. S 37x17   | 3700    | 1700    | 1000    | 1600    | 600     | 20.5 / 8.00 - 10  | 750   |
| PM. RS. S 37x17 S | 3700    | 1700    | 1000    | 1600    | 700     | 200/6014.5  | 820   |
| PM. RS. S 40x13   | 4100    | 1300    | 1000    | 1400    | 700     | 200/6014.5  | 700   |
| PM. RS. S 40x17   | 4100    | 1700    | 1000    | 1400    | 700     | 200/6014.5  | 830   |
| PM. RS. S 50x13   | 5000    | 1300    | 1000    | 1400    | 700     | 200/6014.5  | 850   |
| PM. RS. S 50x13 S | 5000    | 1300    | 1000    | 1400    | 700     | 10/075 - 15.3   | 900   |
| PM. RS. S 50x17 S | 5000    | 1700    | 1000    | 1700    | 860     | 10/075 - 15.3   | 980   |
| PM. RS. S 60x13 S | 6000    | 1300    | 1000    | 1400    | 860     | 10/075 - 15.3   | 1080  |
| PM. RS. S 60x17 S | 6000    | 1700    | 1000    | 1700    | 860     | 10/075 - 15.3   | 1150  |
| PM. RS. S 60x20 S | 6000    | 2000    | 1000    | 2000    | 860     | 10/075 - 15.3   | 1250  |



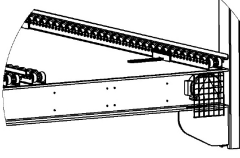
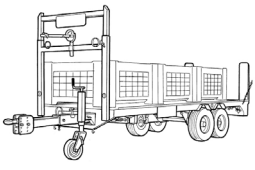
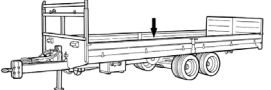
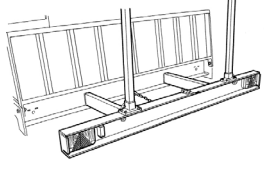
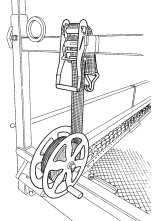
HYDRAULIC RIB / STRUCTURE HYDRAULIQUE / HYDRAULISCHE RIPPENSTRUKTUR /  
ESTRUTURA HIDRÁULICA COM NERVURAS / ESTRUCTURA ACANALADA HIDRÁULICA /  
ГИДРАВЛИЧЕСКАЯ РЕБРИЧНАЯ КОНСТРУКЦИЯ

# CENTINA IDRAULICA



| Min<br>mm | Max<br>mm |
|-----------|-----------|
| 3300      | 7000      |
| 1300      | 2000      |
| H 1620    | H 2850    |



# Accessori

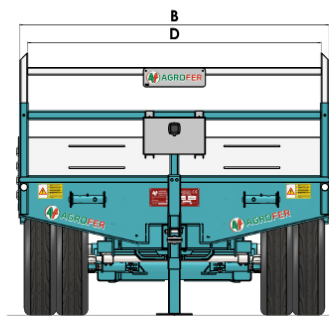
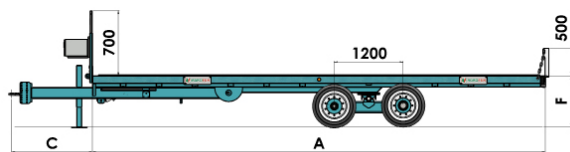
|   |        |
|---|--------|
|    | CR 002 |
|   | CR 003 |
|    | CR 006 |
|   | CR 015 |
|   | CR 016 |
|  | CR 020 |
|  | CR 021 |

# PTM/PTM AS



## MOD. PTM - PTM AS

| MOD.            | A<br>mm | B<br>mm | C<br>mm | D<br>mm | F<br>mm |  | <br>Kg. |
|-----------------|---------|---------|---------|---------|---------|---|--|
| P.T.M. 50x22    | 5000    | 2250    | 1500    | 2190    | 850     | 215/75 R17.5  | 2220   |
| P.T.M. 60x22    | 6100    | 2250    | 1500    | 2190    | 850     | 215/75 R17.5  | 2960   |
| P.T.M. 61x24    | 6100    | 2450    | 1500    | 2390    | 850     | 215/75 R17.5  | 2960   |
| P.T.M. HI 76x24 | 7600    | 2450    | 1500    | 2390    | 850     | 215/75 R17.5  | 3150   |

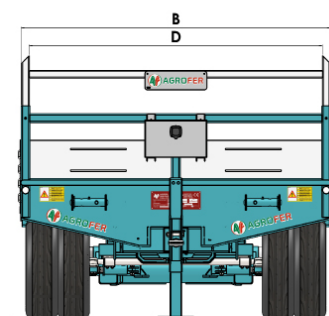
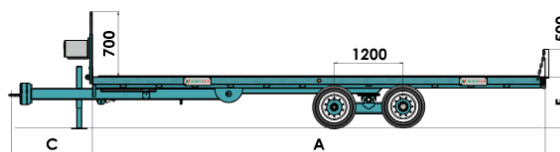


# PIANALE PMG-PMG AS

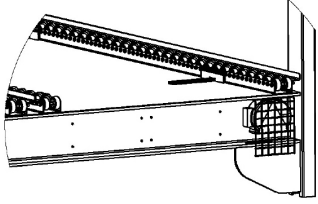
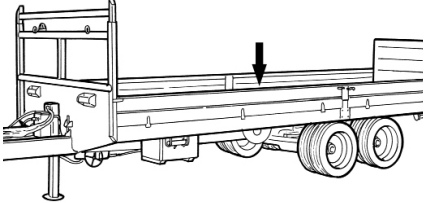

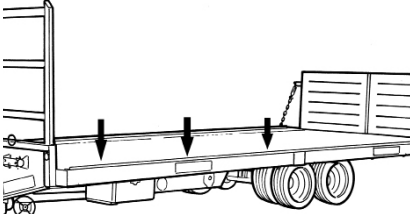
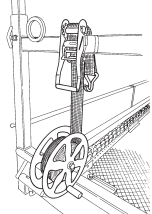


# MOD. PMG - PMG AS

| MOD.         | A mm | B mm | C mm | D mm | F mm |  | <br>Kg |
|--------------|------|------|------|------|------|---|---|
| P.M.G. 57X22 | 5700 | 2250 | 1500 | 2190 | 930  | 215/75 R17.5  | 3050  |
| P.M.G. 61x25 | 6100 | 2500 | 1500 | 2440 | 930  | 215/75 R17.5  | 3200  |
| P.M.G. 66x25 | 6600 | 2500 | 1500 | 2440 | 930  | 215/75 R17.5  | 3300  |
| P.M.G. 76x25 | 7600 | 2500 | 1500 | 2440 | 930  | 215/75 R17.5  | 3950  |
| P.M.G. 86x25 | 8600 | 2500 | 1500 | 2440 | 930  | 215/75 R17.5  | 4700  |
| P.B.C. 96x25 | 9600 | 2500 | 1500 | 2440 | 930  | 215/75 R17.5  | 5000  |



# Accessori

|   |        |                 |
|---|--------|-----------------|
|    | CR 003 | P.T.M. / P.M.G. |
|   | CR 004 |                 |
|    | CR 016 | P.T.M. / P.M.G. |
|   | CR 019 |                 |
|    | PN 001 | P.T.M. / P.M.G. |
|  | PN 002 | P.T.M. / P.M.G. |
|   | PN 003 |                 |
|   | PN 004 |                 |
|  | CR 021 | P.T.M. / P.M.G. |



HYDRAULIC RIB PTM-PMG / STRUCTURE HYDRAULIQUE PTM-PMG /  
HYDRAULISCHE RIPPENSTRUKTUR PTM-PMG /  
ESTRUTURA HIDRÁULICA COM NERVURAS PTM-PMG / ESTRUCTURA ACANALADA HI-  
DRÁULICA PTM-PMG / ГИДРАВЛИЧЕСКАЯ РЕБРИЧНАЯ КОНСТРУКЦИЯ PTM-PMG

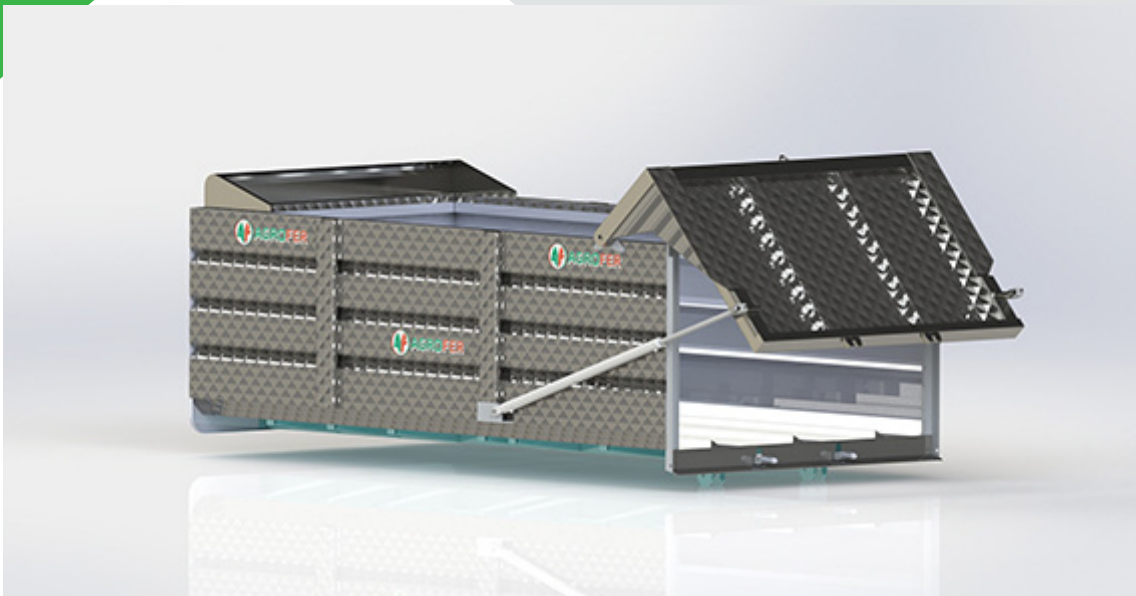
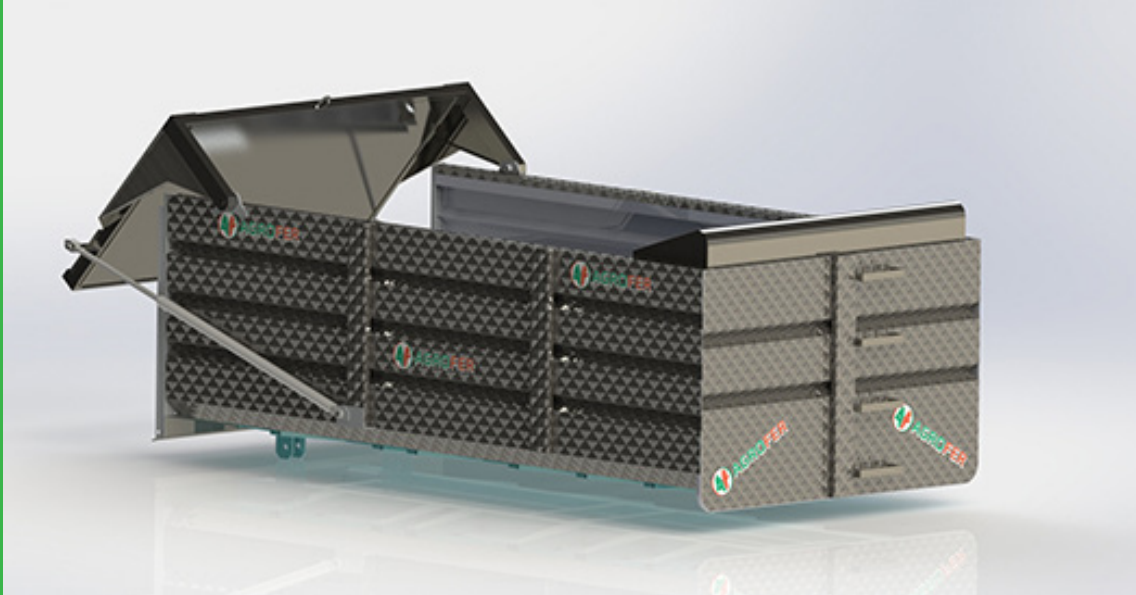
# CENTINA IDRAULICA PER CARRI PTM - PMG

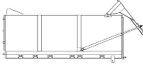



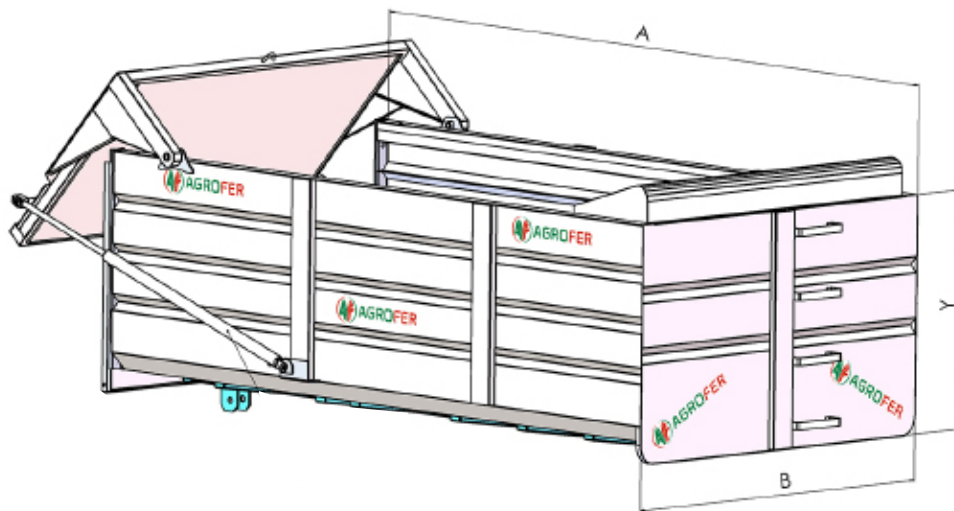
| Minima<br>mm | Massima<br>mm |
|--------------|---------------|
| 5000         | 8500          |
| 2000         | 2500          |
| H 1620       | H 2850        |

TANK FOR AGRICULTURAL TRAILER / CAISSE POUR REMORQUE AGRICOLE /  
WANNE FÜR LANDANHÄNGER / CONTENEDOR INOX PARA REMOLQUE AGRICOLA /  
КОРОБ ДЛЯ СЕЛЬСКОХОЗЯЙСТВЕННОГО ПРИЦЕПА

# VASCA PER RIMORCHIO AGRICOLA






|       | MOD      | <br>Kg | A    | B    | Y    | <br>M <sup>3</sup> |
|-------|----------|---|------|------|------|---|
| 20/10 | VA 30.18 | 480   | 3100 | 1800 | 1200 | 5.0   |
|       | VA 33.18 | 520   | 3300 | 1800 | 1200 | 5.5   |
|       | VA 33.20 | 540   | 3300 | 2000 | 1200 | 5.8   |
|       | VA 36.18 | 530   | 3600 | 1800 | 1200 | 6.0   |
|       | VA 36.20 | 570   | 3600 | 2000 | 1200 | 6.5   |
| 25/10 | VA 41.18 | 580   | 4100 | 1800 | 1200 | 7.0   |
|       | VA 41.20 | 620   | 4100 | 2000 | 1200 | 7.8   |
|       | VA 46.20 | 650   | 4600 | 2000 | 1200 | 9.0   |
|       | VA 46.22 | 700   | 4600 | 2200 | 1200 | 12  |
|       | VA 51.22 | 770   | 5100 | 2200 | 1200 | 13  |
|       | VA 55.23 | 800   | 5500 | 2300 | 1200 | 14  |
| Y     |          |   |      |      | 1400 |   |

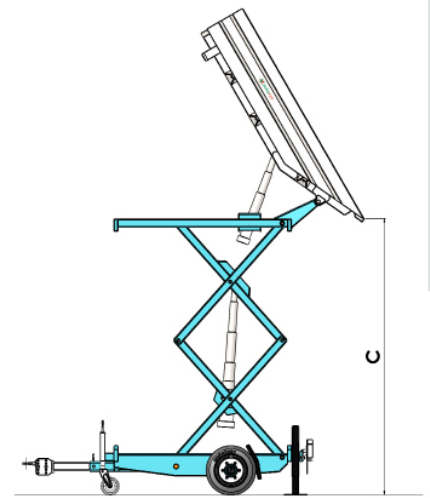
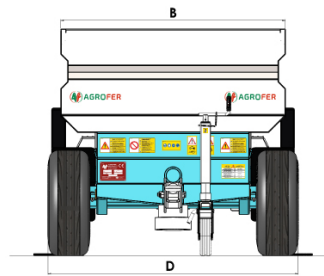
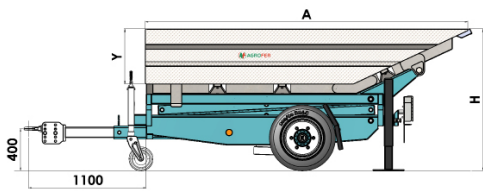


STAINLESS STEEL DDF / DDF INOX / DDF INOX /  
DDF INOX / ТЕЛЕЖКА DDF ИЗ НЕРЖАВЕЮЩЕЙ СТАЛИ

# CARRO DDF INOX




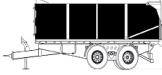

| MOD.   | A<br>mm | B<br>mm | C<br>mm | D<br>mm | Y<br>mm | H<br>mm |  | <br>Kg. | <br>M <sup>3</sup> |
|--------|---------|---------|---------|---------|---------|---------|--|--|---|
| DDF 13 | 3000    | 1300    | 3500    | 1400    | 500     | 1300    | 200/60-14,5  | 1100   | 1.7   |
| DDF 15 | 3000    | 1500    | 3500    | 1600    | 500     | 1300    | 200/60-14,5  | 1200   | 2.5   |
| DDF 18 | 4000    | 1800    | 3000    | 1800    | 500     | 1500    | 340/55-16  | 2650   | 5.0   |

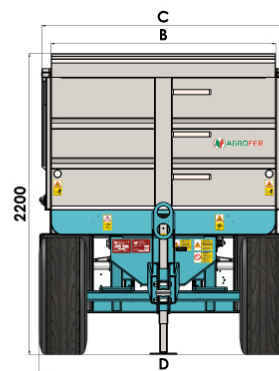
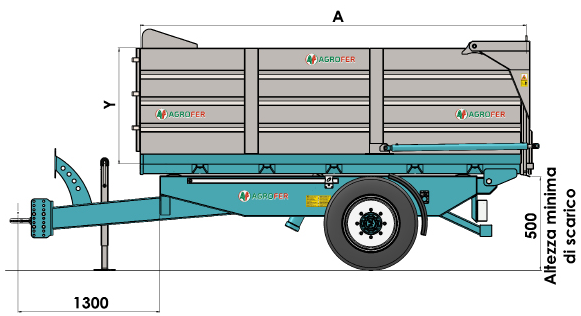


STAINLESS STEEL AFRR / AF RR INOX / AFRR INOX /  
AFRR INOX / ТЕЛЕЖКА AFRR ИЗ НЕРЖАВЕЮЩЕЙ СТАЛИ

# AFRR INOX



| MOD.             | A<br>mm | B<br>mm | C<br>mm | D<br>mm | Y<br>mm |  | <br>m <sup>3</sup> | <br>Kg. |
|------------------|---------|---------|---------|---------|---------|--|---|--|
| AF RR INOX 38x18 | 3800    | 1800    | 2000    | 2000    | 1200    | 355/50 R22.2   | 6.5   | 2050   |
| AF RR INOX 40x20 | 4000    | 2000    | 2200    | 2200    | 1200    | 355/50 R22.2   | 8   | 2200   |


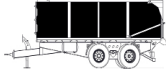



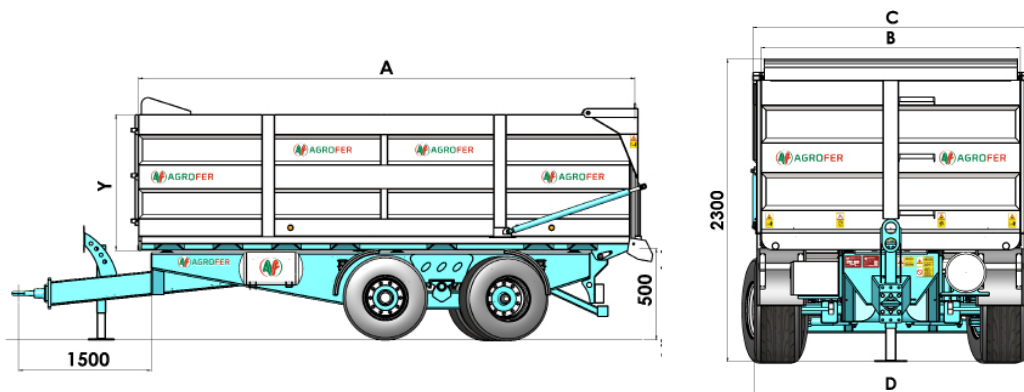
STAINLESS STEEL AFRR TA / AFRR TA INOX / AFRR TA INOX /  
AFRR TA INOX / ТЕЛЕЖКА AFRR TA ИЗ НЕРЖАВЕЮЩЕЙ СТАЛИ

# AFRR TA INOX

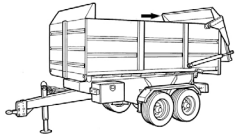
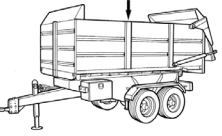
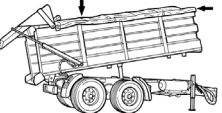
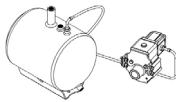
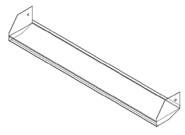
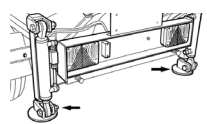
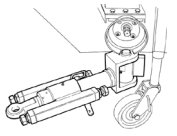
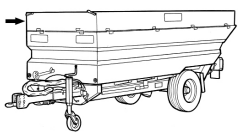




| MOD.                | A<br>mm | B<br>mm | C<br>mm | D<br>mm | Y<br>mm |  | <br>m <sup>3</sup> | <br>Kg. |
|---------------------|---------|---------|---------|---------|---------|---|---|--|
| AF RR TA INOX 40x20 | 4000    | 2000    | 2200    | 2200    | 1200    | 355/50 R22.5  | 8   | 2700   |
| AF RR TA INOX 45x20 | 4500    | 2000    | 2200    | 2200    | 1200    | 355/50 R22.2 o<br>435/50 19.5   | 10  | 3200   |
| AF RR TA INOX 50x20 | 5000    | 2000    | 2200    | 2200    | 1200    | 355/50 R22.2<br>o 435/50 19.5   | 12  | 3600   |
| AF RR TA INOX 50x23 | 5000    | 2300    | 2500    | 2500    | 1200    | 355/50 R22.2 o<br>435/50 19.5   | 13.5  | 3600   |
| AF RR TA INOX 55x23 | 5500    | 2300    | 2500    | 2500    | 1200    | 355/50 R22.2 o<br>435/50 19.5   | 15  | 4500   |
| A RICHIESTA         |         |         |         |         | 1400    |   |   |  |



# Accessori

|   |       |                   |
|---|-------|-------------------|
|    | IN001 | VA AFRR / AFRR TA |
|    | IN002 | VA AFRR / AFRR TA |
|   | IN003 |                   |
|    | IN004 | VA AFRR / AFRR TA |
|   | IN005 | VA AFRR / AFRR TA |
|  | IN006 | VA AFRR / AFRR TA |
|  | IN009 | DDF / DUMPER      |
|  | CR010 | DDF               |
|  | IN011 | DDF 13 - 15       |
|   | IN014 | DDF 18            |



# AGROFER





**G40RT**



**G40RT**



**PBC**



**PBC**



**TELESCOPICO**



**TELESCOPICO**



**AF RR TANDEM**



**AF RR TANDEM**



**AF RR**



**BL**



**DDF**



**DDF**



**PTM**



**PTM**



**CS**



**CS**





# AGROFER



Via dell' Artigianato  
Loc. Ponte Cantone - 25010 Pozzolengo (BS)  
Tel. +39 030 9918243 - info@agrofer.it  
ITALY



[www.agrofer.it](http://www.agrofer.it)